




**MOUNTING INSTRUCTIONS FOR
UNIVERSAL SHORT THROW PROJECTOR MOUNT**

**MODEL No.
PMVSHORTTHROW
SVPMT0001
AVPMSTSHORT**






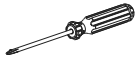
Max Weight Loading 15kgs

READ THESE INSTRUCTIONS CAREFULLY BEFORE INSTALLING YOUR EQUIPMENT. INSTALL THE MOUNT IN A SUITABLE LOCATION USING FIXING WHICH ARE APPROPRIATE FOR THE WALL MATERIAL AND STRUCTURE. CONSULT A QUALIFIED BUILDER IF YOU ARE IN ANY DOUBT AS TO THE STRUCTURAL INTEGRITY OF THE WALL. DO NOT ATTEMPT TO ALTER OR MODIFY ANY PART OF THE WALL MOUNT OR IT'S ATTACHMENTS. DO NOT USE IF ANY PARTS ARE BROKEN OR APPEAR TO BE DAMAGED. TIGHTEN ALL BOLTS AND FIXINGS SECURELY. ONLY USE FIXINGS PROVIDED WITH THIS BRACKET. DO NOT MOUNT YOUR PROJECTOR NEAR TO SOURCES OF HEAT OR MOISTURE. ALWAYS HAVE A MINIMUM OF TWO PERSONS TO INSTALL THE PROJECTOR ONTO THE MOUNT.

Projector Mount Assembly Kit

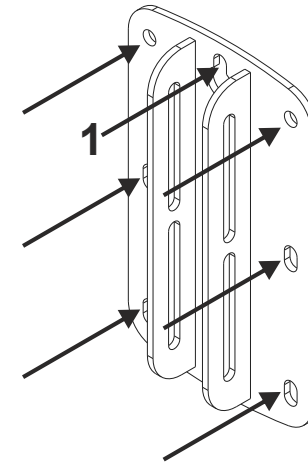
	A - M8 x 16mm	x4
	B - M8 / M6	x4/x3
	C - M6 x 12mm	x2

Universal Projector Fixing Kit

	D - M3 x 10mm	E - M3 x 25mm	x4
	F - M4 x 10mm	G - M4 x 25mm	
	H - M5 x 10mm	I - M5 x 25mm	
	J - M6 x 10mm	K - M6 x 25mm	
	L - M3 Washer	M - M5 Washer	x4
	N - M4 Washer	O - M6 Washer	
	P - M5 x 10mm	x4	
	Q - M5 x 5mm		
	R - M6 x 15mm		
	S - Extension Arm	x4	
	T - M5 x 10mm	x4	
Also Required			

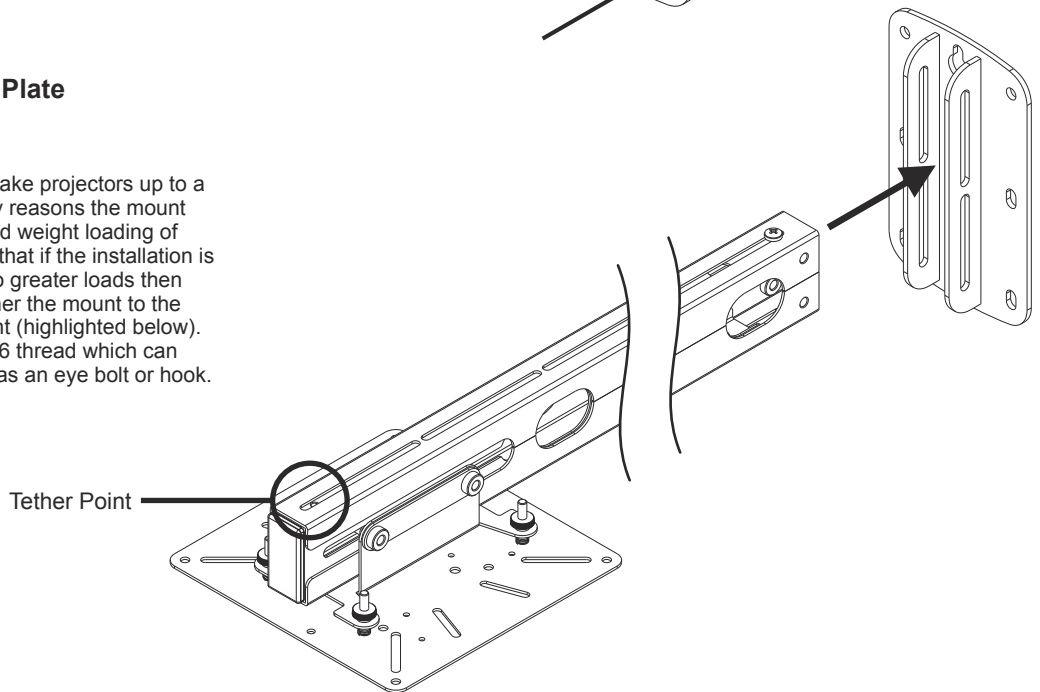
1 Attach Projector Mount to Wall

For ease of installation mount bracket on wall using position 1 and mark other positions using a spirit level. Then remove fixing from position 1, remove bracket and drill other positions. Use Fixings suitable for your type of wall construction. Use All available fixing points. If in any doubt of the suitability of the wall, it's construction or what type of fixings to use, consult a qualified builder or installer.



2 a Secure Boom Arm To Wall Plate

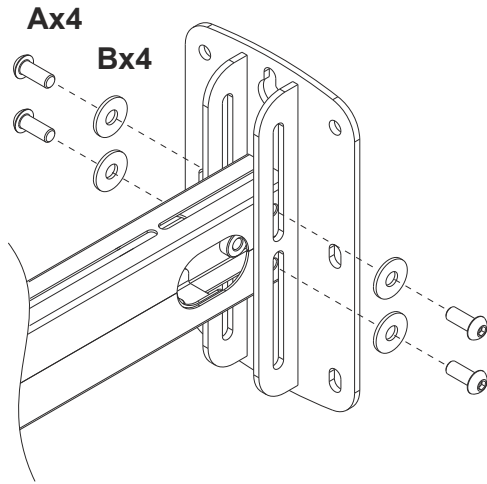
CAUTION NOTE!
This mount is designed to take projectors up to a weight of 15Kgs. For safety reasons the mount has been tested with a dead weight loading of 75Kgs. It is recommended that if the installation is at risk of being subjected to greater loads then you should additionally tether the mount to the ceiling using the tether point (highlighted below). The tether point uses an M6 thread which can accept any M6 fixing such as an eye bolt or hook.



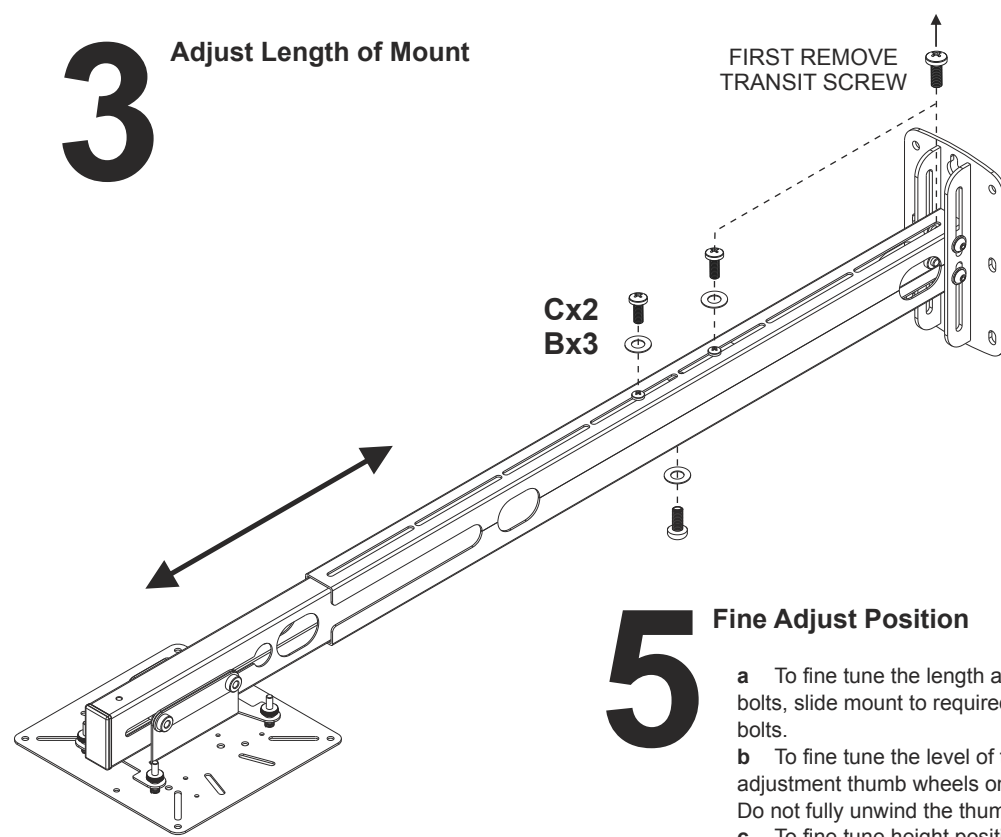
2 Secure Boom Arm To Wall Plate

b

NOTE:
Attach boom arm to wall plate at required height.
To adjust height once the mount is installed refer to **Stage 5**



3 Adjust Length of Mount



5 Fine Adjust Position

- a** To fine tune the length and tilt of the mount, loosen bolts, slide mount to required position and re-tighten bolts.
 - b** To fine tune the level of the projector use the four adjustment thumb wheels on the spring loaded cradle. Do not fully unwind the thumb wheels.
 - c** To fine tune height position of the projector, loosen the boom assembly screws and slide the projector to required position. Then re-tighten all four screws.
 - d** The integrated level indicates that the mount arm is at 0°.
- This does not necessarily mean the projector is level with the screen so other adjustments may need to be made.

4 Attach Projector Fixing Arms if Required and Attach Projector

