

6 5 4 3 2 1

2943

60

MOTOR

50

500

2433

1710

127"

70

50

2740

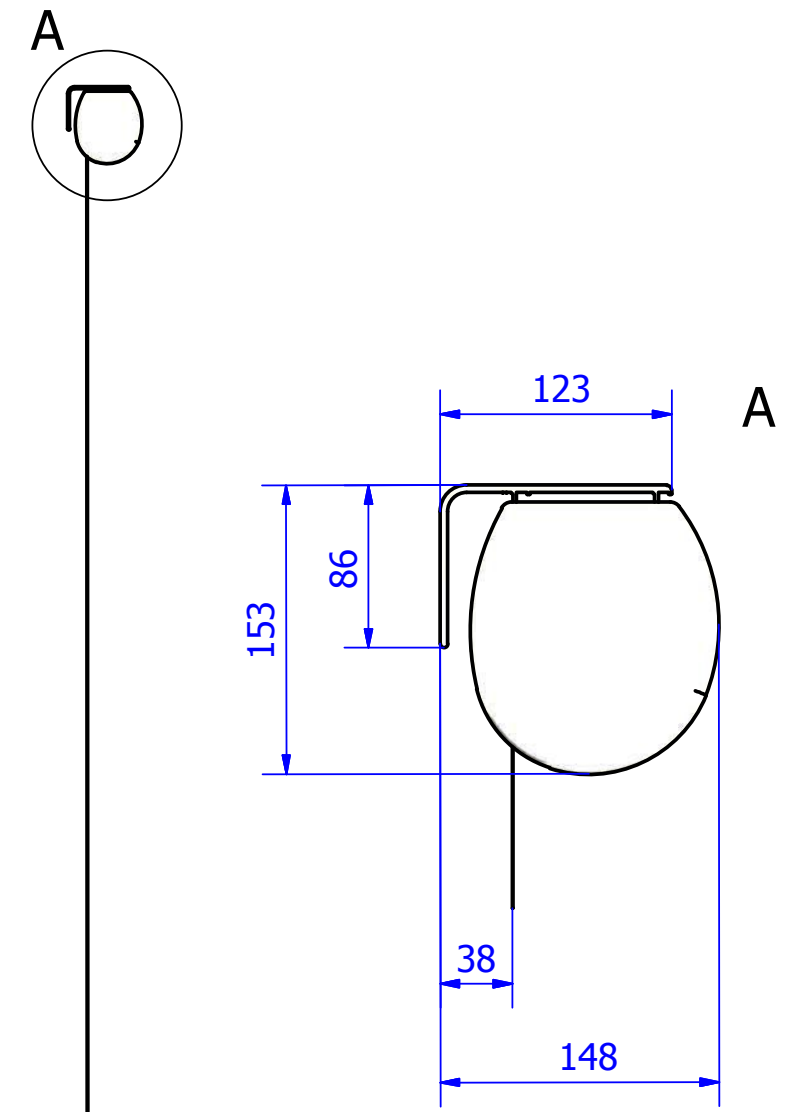
50

D

C

B

A



Please notice that all dimensions are subject to conventional industry tollerances.



|  |  |                       |       |
|--|--|-----------------------|-------|
| JAGO 16:10, VIEWING AREA<br>274x171, + BLACK BORDERS |  | PRODUCT CODE: 1340463 |       |
| Rev.00   |  | Sheet                 | 1 / 1 |

6 5 4 3 2 1