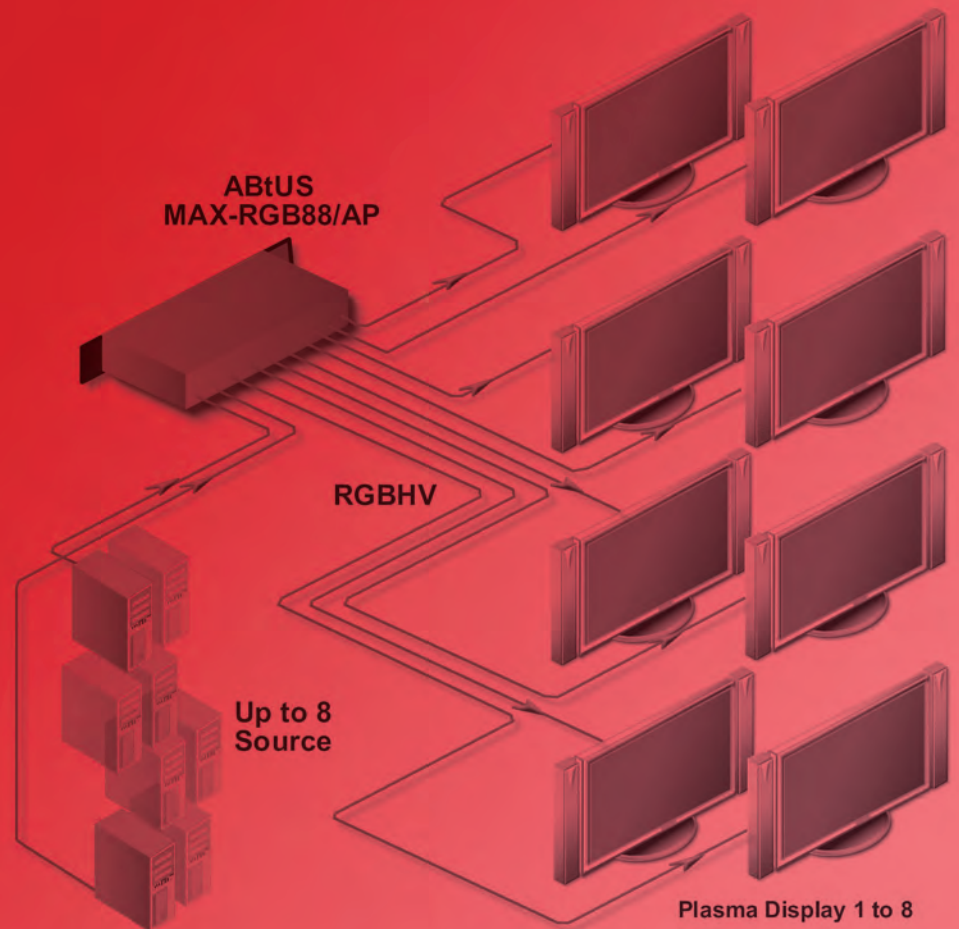


Electronics Display Total Switcher Solution



+ ELECTRONIC SOLUTIONS

Multimedia Controller & Switcher	8
Touch Screen Controller	15
SMART IR Module	16
CAT-5 Transmitter & Receiver	21
VGA Distribution Amplifier & Switcher	37
Matrix Switcher	45
HDMI Distribution Amplifier & Switcher	48
DVI-D Distribution Amplifier	52
Presentation Scaler & Switcher	54
Component Video/Stereo Audio	57
Multimedia Double Gang Interface Panel	59
Multimedia Single Gang Interface Panel	61

AVS-308V6P

USER PROGRAMMABLE INTEGRATED PROJECTOR CONTROLLER SWITCHER



DESCRIPTION

The ABtUS AVS-308V6P Media Control Panel is one of the most user and installer friendly User Programmable Controller that is specifically designed for an easy and central control of any AV projection system. It removes the need for over complicated and multiple remote control handsets.

FEATURES

- "User Programmable" with Window base Application Software
- Simple to use with one-to-one function controlled button
- Works well with any monitors and projectors
- Supports 3 VGA input with resolutions from VGA to SXGA
- Easy Installation with standard 2.54mm connector and cabling
- Fully self contained/integrated Projector Controller with AV switcher

TECHNICAL SPECIFICATION

INPUT: 3 x PC input [*D-Sub 15pin]
 2 x PC-Audio [*3.5mm]
 1 x C-Video [*RCA]
 1 x Stereo Audio [*RCA]
 1 x Microphone [*3.5mm]
 1 x Microphone [*6.3mm]

OUTPUT: 1 x VGA to Projector [*Standard 2.54mm Connector]
 1 x VGA to Monitor [*D-Sub 15pin by the Side]
 1 x C-Video [*Standard 2.54mm connector]
 1 x Main Stereo Audio [*Standard 2.54mm Connector]

VGA BANDWIDTH: 3-in 2-out VGA Distribution Amplifier
 {900MHz R+G+B}

MAX RESOLUTION: 1280 x 1024

ALL CABLE LENGTH: Up to 28 meter

CONFIGURABLE

COM PORT: 1 x RS-232 [8 Data Bit and 1 Stop Bit]

BAUD RATE: 9600 to 115200

PARITY BIT: Non, Even or Odd

DELAY TIME: Projector "ON/OFF" delay time [*in sec] 1 to 99

CONTROL BUTTON: Number of user defined "Control Button" x 8
 Available protocol for each "Control Button" x 1
 With LED & Buzzer for confirmation

LED:

VIDEO SELECTION: All Video/VGA Input Switching Digital

AUDIO SELECTION: Audio Input Switching Digital

VOLUME: Main Volume Control Analog

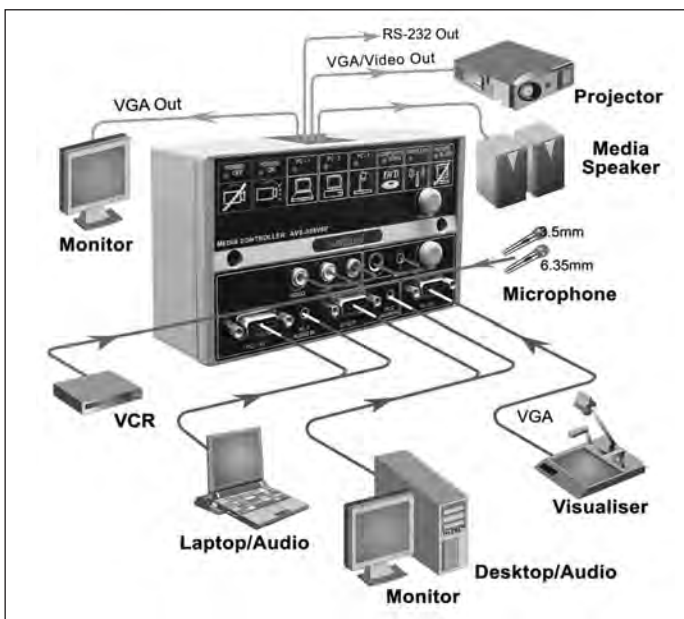
MIC GAIN: Microphone Input Gain Control Analog

POWER ADAPTOR: 12V-DC, 500mA

HOUSING: ABS

DIMENSIONS|WEIGHT: {149 x 88 x 48}mm | Weight:350g

ACCESSORIES: AC-DC Power Adaptor 12V-DC, 500mA



TYPICAL APPLICATIONS

Any professional presentation system requiring multiple AV Inputs of all different type of Video standard and a standard projector controller.

- Schools (Media Classroom)
- Churches
- Corporate Applications (Meeting Room)

* Specifications are subject to changes without notice.



AVS-311

USER PROGRAMMABLE INTEGRATED PROJECTOR CONTROLLER SWITCHER

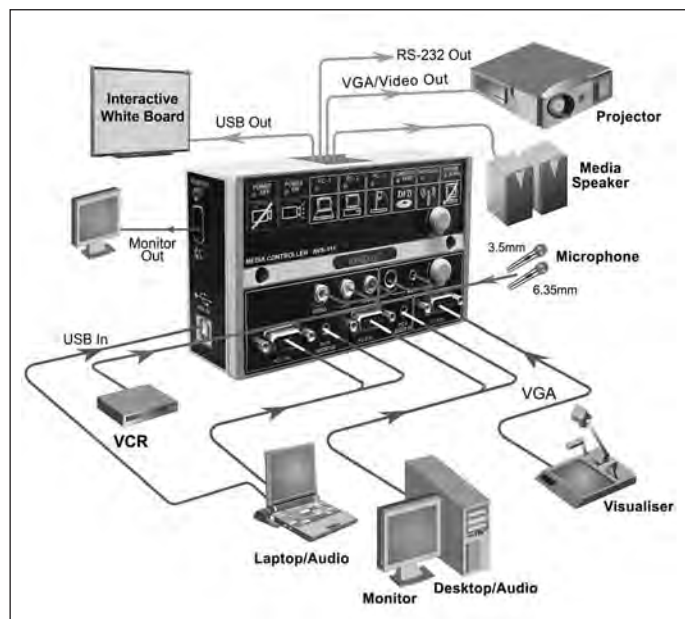


DESCRIPTION

The ABtUS AVS-311 Media Control Panel is one of the most user and installer friendly Pre-Programmable Controller that is specifically designed for an easy and central control of any AV projection system. It removes the need for over-complicated and multiple remote control handsets.

FEATURES

- Programmable projector protocol
- Simple to use with one-to-one function controlled button with LED indication
- Works well with any monitors, projectors and Interactive White Board
- Supports 3 VGA input with resolutions from VGA to SXGA
- Easy Installation with standard 2.54mm connector and cabling
- Fully self contained/integrated Projector Controller with AV switcher and USB in



TYPICAL APPLICATIONS

Any professional presentation system requiring multiple AV Inputs of all different type of Video standard and a standard projector controller.

- Schools (Media Classrooms) • Churches • Corporate Applications (Meeting Rooms)

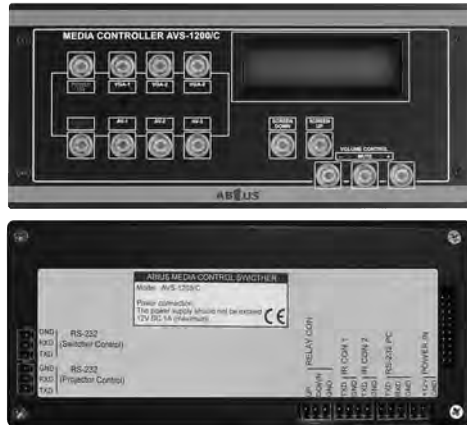
TECHNICAL SPECIFICATION

INPUT:	3 x PC input (*D-Sub 15pin)	
	2 x PC-Audio (*3.5mm)	
	1 x C-Video (*RCA)	
	1 x Stereo Audio (*RCA)	
	1 x USB (Type B by the Side)	
	1 x Microphone (*3.5mm)	
	1 x Microphone (*6.3mm)	
OUTPUT:	1 x VGA to Projector (*Standard 2.54mm Connector)	
	1 x VGA to Monitor (*D-Sub 15pin by the Side)	
	1 x C-Video (*Standard 2.54mm connector)	
	1 x Main Stereo Audio (*Standard 2.54mm Connector)	
	1 x USB (*3.8 Screw Type Connector)	
	1 x Tx (*Standard 2.54mm Connector)	
VGA BANDWIDTH:	3-in 2-out VGA Distribution Amplifier (900MHz R+G+B)	
MAX RESOLUTION:	1280 x 1024	
ALL CABLE LENGTH:	Up to 28 meter	
CONFIGURABLE		
COM PORT:	1 x RS-232 (8 Data Bit and 1 Stop Bit)	
BAUD RATE:	1200 to 115200	
PARITY BIT:	Non, Even or Odd	
DELAY TIME:	Projector "ON/OFF" delay time (*in sec) 1 to 99	
CONTROL BUTTON:	Number of user defined "Control Button" x 8 Available protocol for each "Control Button" x 1	
LED:	With LED & Buzzer for confirmation	
VIDEO SELECTION:	All Video/VGA Input Switching	Digital
AUDIO SELECTION:	Audio Input Switching	Digital
VOLUME:	Main Volume Control	Analog
MIC GAIN:	Microphone Input Gain Control	Analog
POWER ADAPTOR:	12V-DC, 500mA	
HOUSING:	ABS	
DIMENSIONS WEIGHT:	(149 x 88 x 48)mm Weight:350g	
ACCESSORIES:	AC-DC Power Adaptor 12V-DC, 500mA	

* Specifications are subject to changes without notice.

AVS-1200C

USER PROGRAMMABLE MULTIMEDIA CONTROLLER



DESCRIPTION

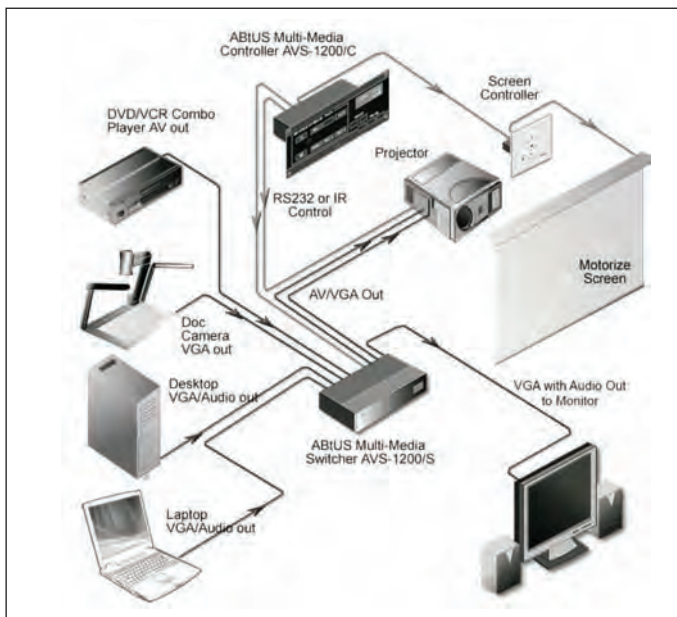
The ABtUS AVS-1200C is a high performance User Programmable Multimedia Controller designed for any small Multimedia Class Room or boardroom application. With its simple integration and user friendly functions, ABtUS AVS-1200C can be easily integrated and acts as an extended central media control unit. Functions include a universal projector control which controls a projector's power on/off, Input switching, and volume control via RS-232 and/or IR control. The AVS-1200C can also be configured for motorized screens or room's lighting control.

FEATURES

- **"User Programmable"** Comes with user friendly UI application software
- **Universal projector/display panel control** Provided Projector control via IR (IR learning capabilities) or user-defined RS-232 commands.
- **Room control** Two configurable relays allow centralized control of room functions such as motorized screen or lightings settings.
- **IR learning (IRMCs)** Enables customized IR control of projector when RS-232 control is not available.
- **One-touch Input selection** Input selection buttons can be customized with clearly labeled and backlit (LED) for displays.
- **Timer clock power shunt-down** An adjustable timer that allows automatic shunt down of projector to preserve energy and extend projector lamp life.
- **LCM Display** Clock and I/O indication
- **Volume control** Volume control for projector or any media speaker.

TECHNICAL SPECIFICATION

CONFIGURATION	1 x RS-232
COM PORT:	(9600, 8 data bit, Non Parity and 1 stop bit)
CONFIGURABLE	2 x RS-232 (8 Data Bit and 1 Stop Bit)
COM PORT:	Baud Rate (9600 to 115200) Parity Bit (Non, Even or Odd) 2 x IR out
DIGITAL I/O:	External control for screen relay
CONTROL BUTTON:	Number of user defined "Control Button" x 11 Available protocol for each "Control Button" x 2
LED / BUZZER:	With LED & Buzzer for indication and confirmation
POWER ADAPTOR:	12V-DC, 500mA
HOUSING:	Metal
DIMENSIONS WEIGHT:	(195 x 86 x 30)mm Weight: 350g
ACCESSORIES:	AC-DC Power Adaptor 12V-DC, 500mA



TYPICAL APPLICATIONS

The AVS-1200C is part of the ABtUS series of high quality and cost effective User Programmable Media Controller designed especially for professional installers. ABtUS products can be found in industrial, commercial, educational, military and government applications such as:

- Schools / Classrooms
- Training rooms
- Workstation environments
- Multipurpose Halls

* Specifications are subject to changes without notice.

AVS-1200CV2

USER PROGRAMMABLE MULTIMEDIA CONTROLLER



DESCRIPTION

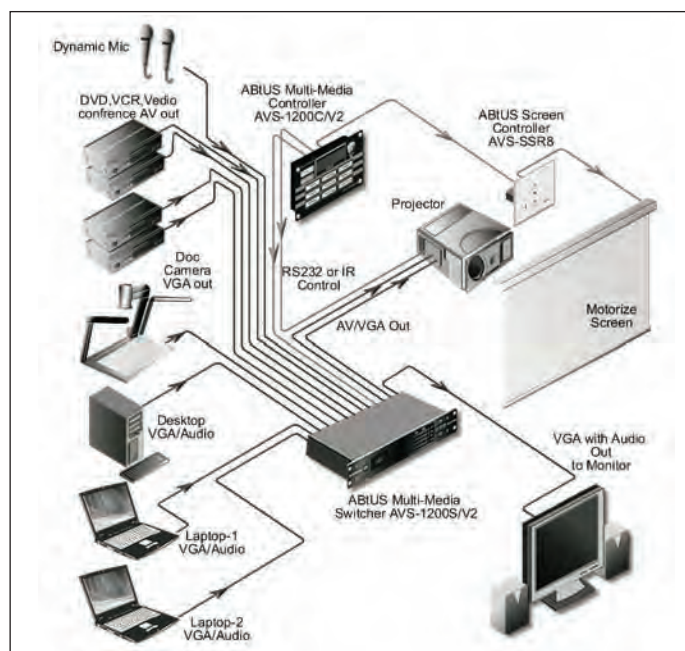
The ABTUS AVS-1200CV2 is a high performance User Programmable Multimedia Controller designed for any small Multimedia Class Room or boardroom application. With its simple integration and user friendly functions (easy to use) ABTUS AVS-1200CV2 can be easily integrated and acts as an extended central media control unit. Functions include a universal projector control which controls a projector's power on/off, input switching, and volume control via RS-232 or IR control. The AVS-1200CV2 can also be configured for motorized screens or room's lighting control.

FEATURES

- **"User Programmable"** Comes with user friendly UI application software
- **User changeable button label/text** Buttons/text can be changed according to requirement
- **Universal projector/display panel control** Provided Projector control via IR (IR learning capabilities) or user-defined RS-232 commands.
- **Room control** Three configurable relays allow centralized control of room functions such as motorized screen or lightings settings.
- **IR learning (IRMCs)** Enables customized IR control of projector when RS-232 control is not available.
- **One-touch Input selection** Input selection buttons can be customized with clearly labeled and backlit (LED) for displays.
- **Timer clock power shunt-down** An adjustable timer that allows automatic shunt down of projector to preserve energy and extend projector lamp life.
- **LCM Display** Clock and I/O display
- **External Power Off control** Unit can be connected to an remote external power off control system for remote monitoring and control.

TECHNICAL SPECIFICATION

CONFIGURATION	1 x RS-232
SETUP COM PORT:	(9600, 8 data bit, Non Parity and 1 stop bit)
CONFIGURABLE COM PORT:	2 x RS-232 (8 Data Bit and 1 Stop Bit)
	Baud Rate (9600 to 115200)
	Parity Bit (Non, Even or Odd)
	1 x IR out
	1 x External Power Off control
DIGITAL I/O:	3 x External for controlling screen relay controller
CONTROL BUTTON:	Number of user defined "Control Button" x 11 Available protocol for each "Control Button" x 2
LED / BUZZER:	With LED & Buzzer for indication and confirmation
POWER ADAPTOR:	12V-DC, 500mA
HOUSING:	Metal / Aluminum
DIMENSIONS WEIGHT:	(156 x 86 x 42)mm Weight: 350g
ACCESSORIES:	AC-DC Power Adaptor 12V-DC, 500mA



TYPICAL APPLICATIONS

The AVS-1200CV2 is part of the ABTUS series of high quality and cost effective User Programmable Media Controller designed especially for professional installers. ABTUS products can be found in industrial, commercial, educational, military and government applications such as:

- Schools / Classrooms
- Training rooms
- Workstation environments
- Multipurpose Halls

* Specifications are subject to changes without notice.

AVS-1200S

USER PROGRAMMABLE MULTIMEDIA SWITCHER



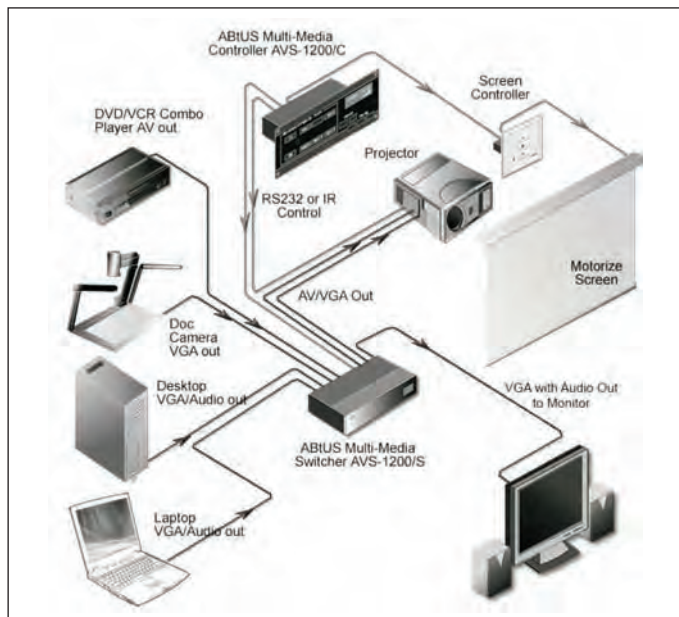
DESCRIPTION

The ABtUS AVS-1200S is a high performance Multimedia Switcher designed for any small medium Multimedia Class Room or boardroom application.

AVS-1200S can also be configured together with the AVS-1200C as the Multimedia Controller Switcher.

FEATURES

- RS-232 Controllable
- Easy Installation with standard AV I/O connector and cabling
- Fully self contained / integrated AV switcher
- Supports 3 VGA input with resolutions from VGA to SXGA
- Works well with any monitors and projectors



TYPICAL APPLICATIONS

The AVS-1200S is part of the ABtUS series of high quality, high bandwidth and cost effective Distribution Amplifiers and Switchers especially for professional installers. ABtUS products can be found in industrial, commercial, educational, military and government applications such as:

- Schools / Classrooms
- Training rooms
- Workstation environments
- Multipurpose Halls

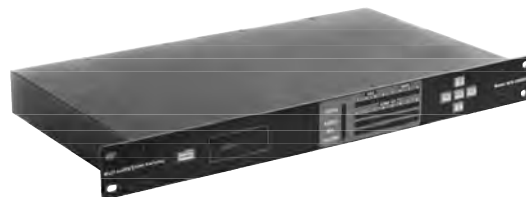
TECHNICAL SPECIFICATION

INPUT:	VGA Input x 3 (*D-Sub 15pin) PC-Audio x 3 (*3.5mm mini jack) C-Video x 1 (*1xRCA) Stereo Audio x 1 (*2xRCA) Microphone x 1 (*3.5mm) Microphone x 1 (*6.3mm)	
OUTPUT:	VGA output x 2 (*900MHz) **1 to projector and 1 for monitor C-Video x 1 (*1xRCA) Main Stereo Audio x 1 (*2xRCA)	
VGA BANDWIDTH:	3-in 2-out VGA Distribution Amplifier Switcher (900MHz R+G+B)	
MAX RESOLUTION:	1280 x 1024	
ALL CABLE LENGTH:	Up to 28 meter	
CONTROL:	RS-232 controllable (8 Data Bit and 1 Stop Bit)	
BAUD RATE:	9600	
PARITY BIT:	Non	
LED INDICATOR:	With LED for power indication and confirmation	
VIDEO SELECTION:	All Video/VGA Input Switching	Digital
AUDIO SELECTION:	Audio Input Switching	Digital
VOLUME:	Main Volume Control	Digital
MIC GAIN:	Microphone Input Gain Control	Default
USER CONFIGURABLE:		YES
HOUSING:	Metal	
DIMENSION/WEIGHT:	(235 x 125 x 30)mm Weight: 400g	
ACCESSORIES:	AC-DC Power Adaptor 12V-DC, 500mA	

* Specifications are subject to changes without notice.

AVS-1200SV2

USER PROGRAMMABLE MULTIMEDIA SWITCHER



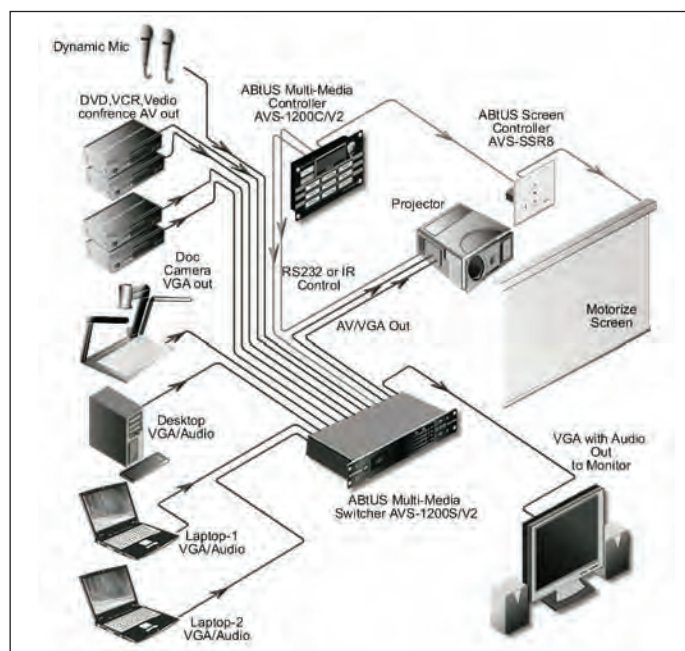
DESCRIPTION

The ABtUS AVS-1200SV2 is a high performance Multimedia Switcher designed for any small medium Multimedia Class Room or boardroom application.

AVS-1200SV2 can also be configured together with the AVS-1200CV2 as the Multimedia Controller Switcher.

FEATURES

- RS-232 Controllable
- Easy Installation with standard AV I/O connector and cabling
- Fully self contained / integrated AV switcher
- Supports 4 VGA input with resolutions from VGA to SXGA
- Works well with any monitors and projectors



TYPICAL APPLICATIONS

The AVS-1200SV2 is part of the ABtUS series of high quality, high bandwidth and cost effective Distribution Amplifiers and Switchers especially for professional installers. ABtUS products can be found in industrial, commercial, educational, military and government applications such as:

- Schools / Classrooms
- Training rooms
- Workstation environments
- Multipurpose Halls

TECHNICAL SPECIFICATION

INPUT:	VGA Input x 4 [*D-Sub 15pin] PC-Audio x 4 [*3.5mm mini jack] C-Video x 4 [*1xRCA] Stereo Audio x 4 [*2xRCA] Microphone x 1 [*6.3mm]
OUTPUT:	VGA output x 2 [*900MHz] **1 to projector and 1 for monitor C-Video x 2 [*1xRCA] Main Stereo Audio x 2 [*2xRCA]
VGA BANDWIDTH:	4-in 2-out VGA Distribution Amplifier Switcher (900MHz R+G+B) **Output-2 follows Input-4
MAX RESOLUTION:	1280 x 1024
ALL CABLE LENGTH:	Up to 28 meter
CONTROL:	RS-232 controllable (8 Data Bit and 1 Stop Bit)
BAUD RATE:	9600
PARITY BIT:	Non
LED INDICATOR:	With LED for power indication and confirmation
VIDEO SELECTION:	All Video/VGA Input Switching Digital
AUDIO SELECTION:	Audio Input Switching Digital
VOLUME:	Main Volume Control Digital
MIC GAIN:	Microphone Input Gain Control Digital
CONTROL:	Front Panel and RS-232
HOUSING:	Metal
DIMENSION/WEIGHT:	[235 x 125 x 30]mm Weight: 400g
ACCESSORIES:	AC Cord
POWER SOURCE:	100 to 230 VAC, 50/60Hz

* Specifications are subject to changes without notice.

AVS-SSR8/1

UNIVERSAL PROJECTOR AND MOTORIZED SCREEN CONTROLLER



DESCRIPTION

AVS-SSR8/1 is a Universal IR Motorized Screen and Projector Controller. It can easily be integrated into a Home Theater, Media Class Room, Meeting Room and more. It is also able to integrate with any third party central control system. Simple integration with direct power control of 220 to 240 VAC 50Hz/60Hz.

It is integrated with IR/RS-232 projector control capability in one single controller. With the programming software, projector control can be set easily. It is also integrated with a self-contained universal IR learning function enabling the switcher to be programmed to control any brand or model of projectors which are in the market.

FEATURES

- 2:1 controller (Control motorized screen and projector)
- Programmable RS-232 for projector control
- IR learning function for projector control (if RS-232 is not available)
- With "dry contact" control

TECHNICAL SPECIFICATION

CONTROL: Hard button, IR Remote or Dry Contact Closure (Voltage Free)

I/O PORT: 5 X 5.0mm Screw Type Connector (AC-N, ACL, Common, Screen Up and Screen Down)
1x4 port 3.8mm screw type terminal block (Dry contact control)
1x3 port 3.8mm screw type terminal block (RS-232)
1x2 port 3.8mm screw type terminal block (IR)

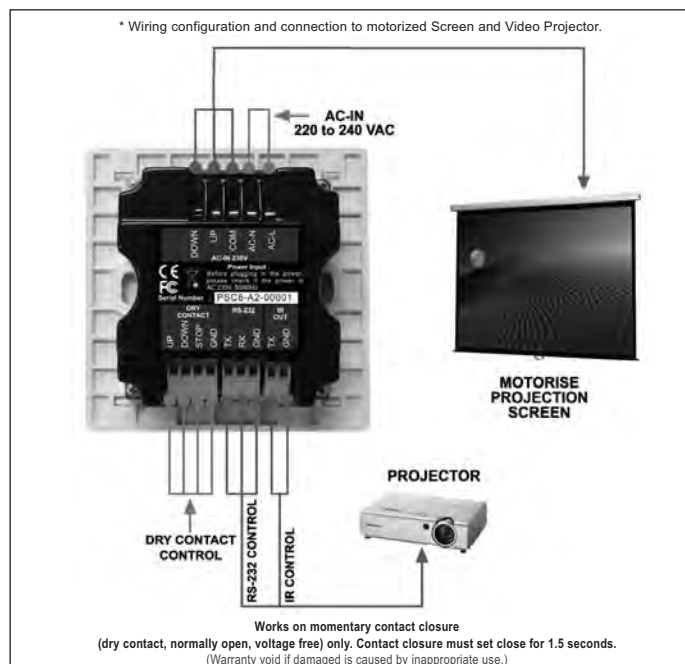
CURRENT RATING: MAX. Load 1.8A

HOUSING: ABS

DIMENSION/WEIGHT: 89mm X 89mm X 45mm / 130g

POWER SOURCE: 220VAC to 240 VAC, 50/60 Hz

ACCESSORIES: 1 x IR Remote Controller and 1x IR probe



TYPICAL APPLICATIONS

Any professional presentation system requiring multiple AV Inputs of all different type of video standard and a standard projector controller.

- Schools (Media Classrooms)
- Churches
- Corporate Applications (Meeting Rooms)

* Specifications are subject to changes without notice.

ABTUS

A934-012C-044

TOUCH SCREEN CONTROL SYSTEM



DESCRIPTION

The ABtUS A934-012C-044 (UK Version) touch control panel uses a standard 4-wire resistive touch panel, which allows up to a total of 32 command code with complete user programmable software.

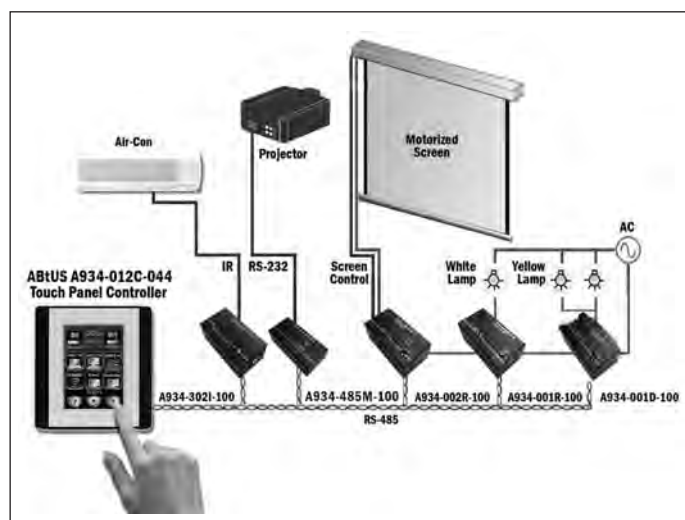
It comes with a user friendly software which allows customized programming such as macros setting, feedback events, control commands, etc. Another feature is the panel button layout and design, it can be easily customized and print out accordingly with icons or clear text buttons.

FEATURES

- Feature with automatic backlight fade out
- Macro definitions setting can be assign for every single button up to 16 difference order
- Default 3x4 matrix of 12 touch buttons
- With RS-232 or RS-485 selectable communication standard
- Ultra low power consumption

TECHNICAL SPECIFICATION

INPUT VOLTAGE	12V-DC, 350mA
BACK LIGHT	With LED for black light
COMMUNICATION STANDARD	RS-232 or RS485 (*Selectable)
CONFIGURABLE COM PORT	1 x RS-232 or 1x RS-485 (7 or 8 Data Bit and 1 or 2 Stop Bit) Baud Rate (9600 to 38400) Parity Bit (Non, Even or Odd)
TOTAL NUMBER OF BUTTON	12
TOTAL NUMBER OF COMMAND SET ALLOW	32
STANDBY CURRENT	35mA
OPERATION CURRENT	65mA
HOUSING	ABS
DIMENSIONS WEIGHT	(75 x 118 x 31.2)mm Weight: 75g
ACCESSORIES	AC-DC Power Adaptor 12V-DC, 350mA 1 x 2 pin terminal block 1 x 3pin terminal block



TYPICAL APPLICATIONS

Any professional control system requiring multiple lighting/dimming or environmental control.

- Schools (Media Classrooms) • Churches • Corporate Applications (Meeting Rooms) • Home Automation • Home Theaters • Hotels In Room Control

* Specifications are subject to changes without notice.

[A934-302I-100] / [A934-332I-100]

SMART IR TRANSMITTER [with IR Learning] / [without IR Learning]



DESCRIPTION

Apart from its powerful infrared learning function, the ABtUS A934-302I-100 or A934-332I-100 IR transmitter, also has a large memory capacity and a special circuit design that makes IR carrier recognition possible. It has two independent infrared output designs with improved hardware programming allowing the control two of the same equipments independently which raised the flexibility and mobility of control.

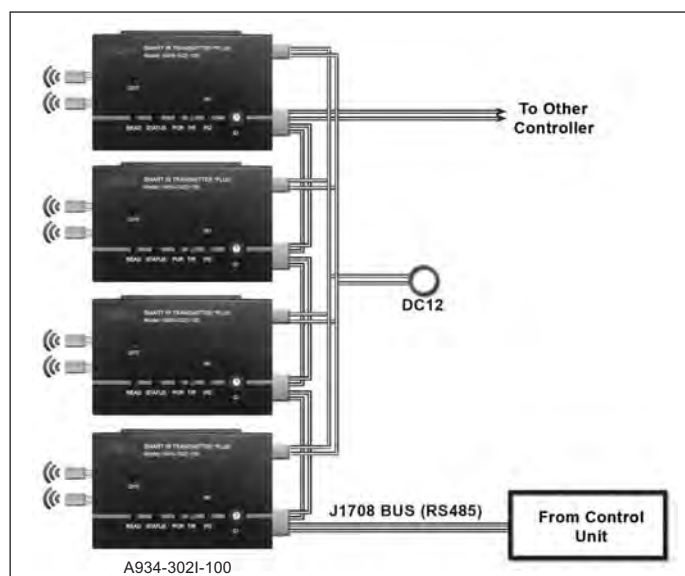
With the A934-302I-100 or A934-332I-100, one can eliminate all equipment infrared remote controllers. It can also act as a centralized automated control system.

FEATURES

- SMART Transmitter **with IR Learning (A934-302I-100)**
SMART Transmitter **without IR Learning (A934-332I-100)**
- Powerful infrared learning, ability to learn all kinds of infrared code and also simultaneously record the its carrier frequency.
- Large memory:
Record up to **256 infrared codes in different formats (A934-302I-100)**
Record up to **32 infrared codes in different formats (A934-332I-100)**
- An independent group of infrared transmitters can be extended up to 100 meters
- Software support which clearly identified and analysis of the type of IR-code which can then store or copy to another A934-302I-100 or A934-332I-100

TECHNICAL SPECIFICATION

	[A934-302I-100]	[A934-332I-100]
INPUT VOLTAGE:	12V-DC, 350mA	12V-DC, 350mA
LED INDICATION:	Diffused, Read, Power, T/R, IR-1 and IR-2 LED indicator	Diffused, Read, Power, T/R, IR LED indicator
COMMUNICATION STANDARD:	RS485/USB Selectable	RS485/USB Selectable
COM PORT:	1 x RS485 Input 1 x RS485 Output 1 x USB type B	1 x RS485 Input 1 x RS485 Output
COMMUNICATION DISTANCE:	100m	100m
I/O PORT:	2 x IR 3.5mm min jack 1 x RJ11 (*Diffused out)	1 x IR 3.5mm min jack
MEMORY:	256 infrared codes	32 infrared codes
NUMBER ID SETTING:	16	16
DIMENSIONS WEIGHT:	[93 x 60 x 26]mm Weight: 110g	[93 x 60 x 26]mm Weight: 110g
ACCESSORIES:	AC/DC Power Adaptor 12V-DC, 350mA 2 x IR probe 1 x 2 Pin terminal block 1 x 4 Pin terminal block	AC/DC Power Adaptor 12V-DC, 350mA 1 x IR probe 1 x 2 Pin terminal block 1 x 4 Pin terminal block



TYPICAL APPLICATIONS

Any professional control system requiring multiple IR for AV, lighting or environmental control.

- Schools (Media Classrooms) • Churches • Corporate Applications (Meeting Rooms) • Home Automation • Home Theaters • Hotel In-Room Controls

* Specifications are subject to changes without notice.

ABTUS

485 CONVERTOR (A934-485M-100)

TWO WAY RS-232/RS485 CONVERTOR WITH ID



DESCRIPTION

The ABTUS A934-485M-100 is a RS232 / RS485 two way converters. It is a most simple device use for 232 to 485 or 485 to 232 conversion without any feature set.

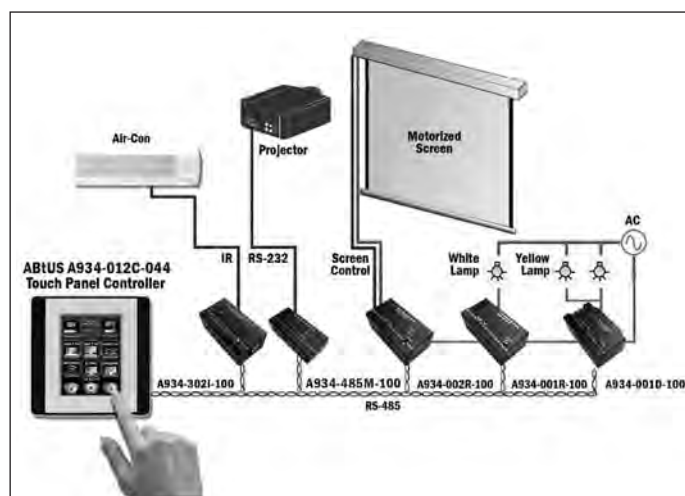
With its small size design, long transmitting distance and stability characteristics, it can be installed in almost any application and location. Example: Car-parking system, Remote control system, Lighting Control system and even industrial application.

FEATURES

- Require only the use of RS232 the RXD, TXD, GND signal line
- Automatically converted to RS485 with zero delay
- RS232 communications distance can be extended up to 120m [* using a twisted-pair shielded cable]
- With RXD, TXD, Power LED Indicator
- Support multi-point communications

TECHNICAL SPECIFICATION

INPUT VOLTAGE:	12V-DC, 350mA
LED INDICATION:	With RXD, TXD and Power LED indicator
COMMUNICATION STANDARD:	RS-232 to RS485 or RS-485 to RS-232
COM PORT:	1 x RS-232 and 1x RS-485
COMMUNICATION:	RS-232/RS-485 bi-directional data exchange transmission
COMMUNICATION DISTANCE:	120m [* using a twisted-pair shielded cable]
OPERATION CURRENT:	65mA
HOUSING:	Metal
DIMENSIONS WEIGHT:	[40 x 80 x 25]mm Weight: 110g
ACCESSORIES:	AC-DC Power Adaptor 12V-DC, 350mA 2 x 2 Pin terminal block 1 x 3 Pin terminal block



TYPICAL APPLICATIONS

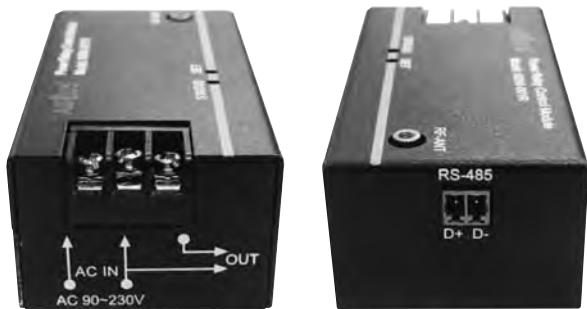
Any professional control system requiring multiple AV, lighting or environmental control.

- Schools (Media Classrooms) • Churches • Corporate Applications (Meeting Rooms) • Home Automation • Home Theaters • Hotel In-Room Controls

* Specifications are subject to changes without notice.

A934-001R-100

SINGLE RELAY POWER CONTROL MODULE



DESCRIPTION

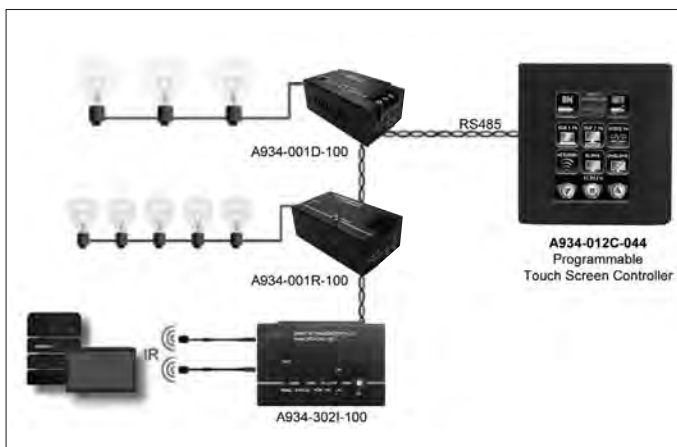
The ABTUS A934-001R-100 is a single power relay control module that is able to easily switch the location of the traditional walls switch to any position required. It is a most simple and efficient control of all in rooms control module for any electrical power control requirement example: lighting or power control etc.

FEATURES

- Built-in the high-efficiency of auto switching power supply AC 90~AC 240
- With standard RS-485 communication protocol, compatible with any central control for all host
- Built-in high sensitivity wireless modules, simplifying the complicated wiring project
- User-friendly mode of operation set up
- Delay off feature

TECHNICAL SPECIFICATION

INPUT VOLTAGE:	90 ~ 240VAC [*Auto-Switching]
LED INDICATION:	With Status and Set LED indicator
COMMUNICATION STANDARD:	RS485
COM PORT:	1 x RS-485
NUMBER OF ID SETTING:	32 ID
FUSES:	Precision ceramic fuses
POWER RATING:	400 Watt
CURRENT RATING:	Max 1.5A @ 230V (8x40 Watt Fluorescent Lamp Control)
HOUSING:	Metal
DIMENSIONS WEIGHT:	(40 x 80 x 25)mm Weight: 170g
ACCESSORIES :	1 x 2 Pin terminal block



TYPICAL APPLICATIONS

Any professional control system requiring multiple AV power, lighting or environmental control.

- Schools (Media Classrooms) • Churches • Corporate Applications (Meeting Rooms) • Home Automation • Home Theaters • Hotel In-Room Controls

* Specifications are subject to changes without notice.

A934-002R-100

TWO RELAY POWER CONTROL MODULE



DESCRIPTION

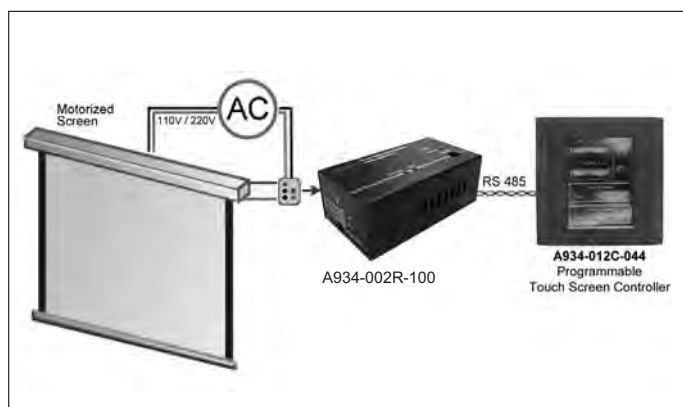
The ABTUS A934-002R-100 is two power relay control module that is able to easily switch the location of the traditional walls switch to any position required. It is a most simple and efficient control module for all in rooms control for any electrical power controlled requirement example: lighting, motorized screen, drape, curtain ect.

FEATURES

- Built-in high efficiency of auto switching power supply AC 90 ~ AC 240
- With standard RS-485 communication protocol, compatible with any central control for all host
- Built-in high sensitivity wireless modules, simplifying the complicated wiring project
- User-friendly mode of operation set up
- Delay auto-off feature

TECHNICAL SPECIFICATION

INPUT VOLTAGE:	90 ~ 240VAC [*Auto-Switching]
LED INDICATION:	With Status and Set LED indicator
COMMUNICATION STANDARD:	RS485
COM PORT:	1 x RS-485
NUMBER OF ID SETTING:	32 ID
FUSES:	Precision ceramic fuses
RELAY CURRENT RATING:	Max 250V / 16A x 2
HOUSING:	Metal
DIMENSIONS WEIGHT:	(40 x 80 x 25)mm Weight: 170g
ACCESSORIES:	1 x 2 Pin terminal block 1 x 5 Pin Connector/Cable



TYPICAL APPLICATIONS

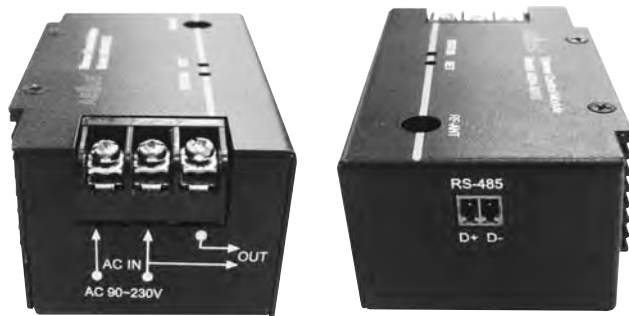
Any professional control system requiring multiple AV power, lighting or environmental control.

- Schools (Media Classrooms) • Churches • Corporate Applications (Meeting Rooms) • Home Automation • Home Theaters • Hotel In-Room Controls

* Specifications are subject to changes without notice.

A934-001D-100

SINGLE PORT POWER/DIMMER CONTROL MODULE



DESCRIPTION

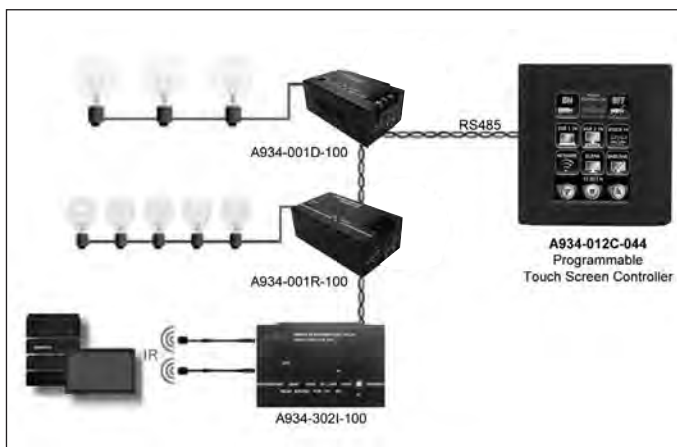
The ABtUS A934-001D-100 is a power dimmer control module that is able to easily switch the location of the traditional walls switch to any position required. It is the most simple and efficient Dimmer control of all in rooms lighting control.

FEATURES

- Built-in high efficiency of auto switching power supply AC 90 ~ AC 240
- With standard RS-485 communication protocol, compatible with any central control for all host
- Built-in high sensitivity wireless modules, simplifying the complicated wiring project
- User-friendly mode of operation set up
- Delay off feature (0~2500 sec)

TECHNICAL SPECIFICATION

INPUT VOLTAGE:	90 ~ 240VAC [* Auto-Switching]
LED INDICATION:	Status LED indicator
COMMUNICATION STANDARD:	RS485
COM PORT:	1 x RS-485
NUMBER OF ID SETTING:	32 ID
TOTAL NUMBER OF DIMMING STEPS:	256
FUSES:	Precision ceramic fuses
CURRENT RATING:	Max 1.5A @ 230V (8x40Watt Down Light Dimming Control)
HOUSING:	Metal
DIMENSIONS WEIGHT:	(53 x 88 x 33.5)mm Weight: 195g
ACCESSORIES:	1 x 2 Pin terminal block



TYPICAL APPLICATIONS

Any professional control system requiring multiple lighting/dimming or environmental control.

- Schools (Media Classrooms) • Churches • Corporate Applications (Meeting Rooms) • Home Automation • Home Theaters • Hotel In-Room Controls

* Specifications are subject to changes without notice.

CAT-GA11T/A

1:1 VGA/AUDIO OVER CAT-5 TRANSMITTER

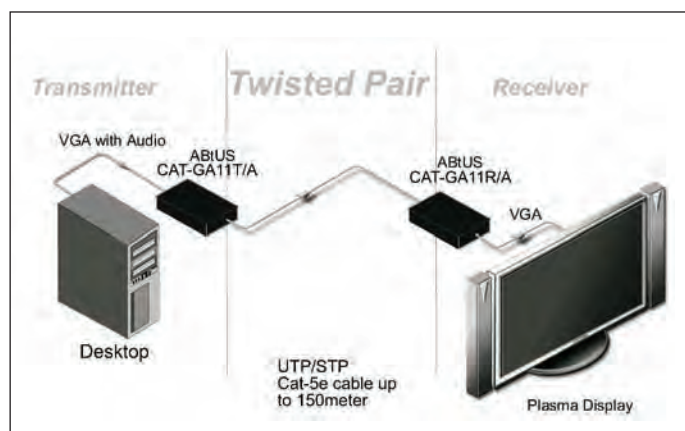


DESCRIPTION

The ABtUS CAT-GA11T/A extends computer video and PC audio signals up to 150 meters over CAT5e (UTP/STP) cabling. CAT-GA11T/A transmits to the CAT-GA11R/A receiver with no loss of signal quality. AV professionals enjoy more flexibility and lower cost of CAT5 UTP cables for their AV installations.

FEATURES

- Extends VGA signal/Mono Audio over CAT5 cabling
- Receives computer video and Mono Audio up to 150 meters over CAT 5e UTP, CAT 5e STP or CAT 6 UTP cables
- Works well with monitors, projectors, HDTVs and flat panel displays
- Supports resolutions from VGA (640 x 480) to SXGA (1280 x 1024)



TECHNICAL SPECIFICATION

INPUT:	VGA / PC Audio
OUTPUT:	CAT5
VGA CONNECTOR:	1 x Male 15-pin HD Connector
RJ-45 CONNECTOR:	1
MAX RESOLUTION:	1280 x 1024
POWER ADAPTER (MIN.):	12V-DC, 500mA
HOUSING:	Metal
DIMENSION/WEIGHT:	[99 x 70 x 26]mm Weight: 185g
ACCESSORIES:	AC-DC Power Adaptor 12V-DC, 500mA

TYPICAL APPLICATIONS

ABtUS Video/Audio extender products are ideal for presentations, classrooms, multipurpose halls, remote monitoring, workstation environments, data centers, retail show rooms, Hotel and training facilities applications.

* Specifications are subject to changes without notice.

CAT-GA14MT/A

1:4 VGA/AUDIO OVER CAT-5 TRANSMITTER WITH MONITOR OUT

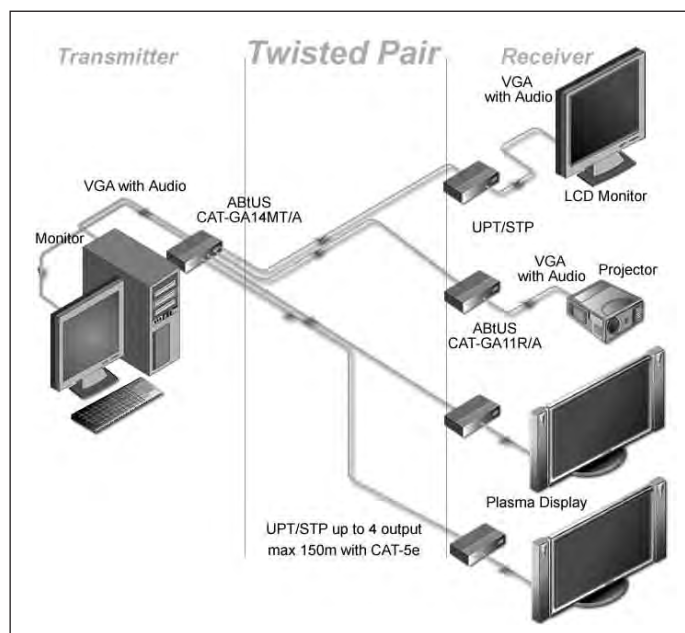


DESCRIPTION

The ABUS CAT-GA14MT/A extends computer video and PC audio signals into 4 identical outputs and transmits up to 150 meters over CAT 5e (UTP/STP) cabling. The CAT-GA14MT/A transmits to ABUS CAT-GA series receivers with no loss of signal quality. AV professionals enjoy more flexibility and lower cost of CAT5 UTP cables for their AV installations.

FEATURES

- Extends VGA signal/Mono Audio over CAT5 cabling
- Receives computer video and Mono Audio up to 150 meters over CAT 5e UTP, CAT 5e STP or CAT 6 UTP cables
- With VGA/mono Audio Monitor output
- Supports resolutions from VGA (640 x 480) to SXGA (1280 x 1024)
- Connects to multiple video screen from one Input sources
- Works well with monitors, projectors, HDTV and flat panel display



TYPICAL APPLICATIONS

ABUS Video/Audio extender products are ideal for presentations, classrooms, multipurpose halls, remote monitoring, workstation environments, data centers, retail show rooms, Hotel and training facilities applications.

TECHNICAL SPECIFICATION

INPUT:	VGA / PC Audio
OUTPUT:	1 x Local Monitor with Audio
VGA INPUT CONNECTOR:	1 x Male 15-pin HD Connector
MONITOR OUT:	1
RJ-45 CONNECTOR:	4
MAX RESOLUTION:	1280 x 1024
POWER ADAPTER (MIN.):	12V-DC, 500mA
HOUSING:	Metal
DIMENSION/WEIGHT:	(80 x 150 x 30)mm Weight: 320g
ACCESSORIES:	AC-DC Power Adaptor 12V-DC, 500mA

* Specifications are subject to changes without notice.

CAT-GA11R/A

1:1 VGA/AUDIO OVER CAT-5 RECEIVER

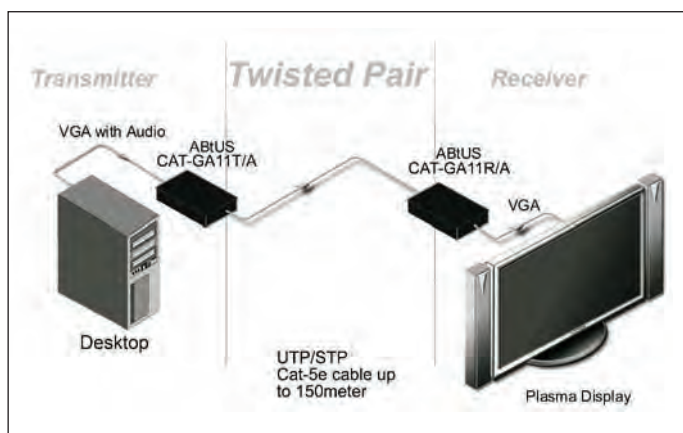


DESCRIPTION

The ABtUS CAT-GA Series extends computer video and PC audio signals up to 150 meters over CAT 5e (UTP/STP) cables to the CAT-GA11R/A receiver with no loss of signal quality. AV professionals enjoy more flexibility and lower cost of CAT 5e UTP/STP cables for their AV installations.

FEATURES

- Extends VGA signal/Mono Audio over CAT5 cabling
- Receives computer video and Mono Audio up to 150 meters over CAT 5e UTP, CAT 5e STP or CAT 6 UTP cables
- Works well with monitors, projectors, HDTV and flat panel display
- Supports resolutions from VGA (640 x 480) to SXGA (1280 x 1024)
- Variable Level and EQ controls



TECHNICAL SPECIFICATION

INPUT:	CAT 5
OUTPUT:	Monitor / PC Audio
ADJUSTMENT:	Level / EQ
MONITOR CONNECTOR:	1
RJ-45 CONNECTOR:	1
ADJUSTMENT:	2
MAX RESOLUTION:	1280 x 1024
POWER ADAPTER (MIN.):	12V-DC, 500mA
HOUSING:	Metal
DIMENSION/WEIGHT:	[99 x 70 x 26]mm Weight: 185g
ACCESSORIES:	AC-DC Power Adaptor 12V-DC, 500mA

TYPICAL APPLICATIONS

ABtUS Video/Audio extender products are ideal for presentations, classrooms, multipurpose halls, remote monitoring, workstation environments, data centers, retail show rooms, Hotel and training facilities applications.

* Specifications are subject to changes without notice.

CAT-GA11MT/AP3

1:1 VGA/STEREO AUDIO OVER CAT-5 TRANSMITTER WITH MONITOR OUT



DESCRIPTION

The ABtUS CAT5-GA/AP3 Series is a CAT-5 extender that accepts long distance transmissions of RGB video with stereo audio on any CAT 5e UTP, 5e STP or CAT 6 twisted pair up to 300 meters end to end (up to 500 meters with receiver loop-out).

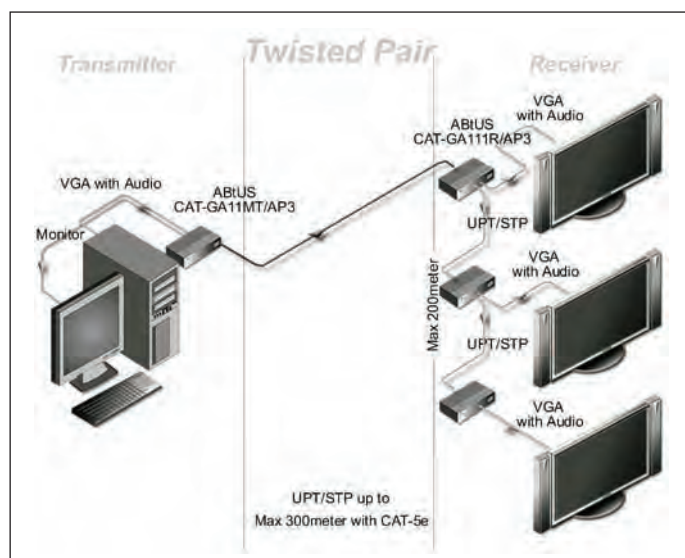
Its receiver has built-in equalization and gain control to adjust brightness as well as an enhanced RGB Skew Compensation adjustment. This improves the VGA signal going through the CAT5 cable with changes to the R, G & B signals adjusted individually. Signals are delayed as required for images to be overlaid properly. It also comes with "memorized & lock" function when properly adjusted.

FEATURES

- Extends VGA signal/Stereo Audio over CAT5 cabling
- Receives computer video and Stereo Audio up to 1000 feet (305 meters) over CAT 5e UTP, CAT 5e STP or CAT 6 UTP cables
- Works well with monitors, projectors, HDTV and flat panel display
- With VGA/Stereo Audio Monitor output
- Supports resolutions from VGA (640 x 480) to SXGA (1280 x 1024)

TECHNICAL SPECIFICATION

VGA/AUDIO IN:	1 (D-Sub 15 pin/3.5mm mini Jack)
VGA/AUDIO MONITOR OUT:	1 (D-Sub 15 pin/3.5mm mini Jack)
RJ-45 CONNECTOR:	1
MAX RESOLUTION:	1920 x 1200
POWER ADAPTER (MIN.):	12V-DC, 1A
HOUSING:	Metal
DIMENSION/WEIGHT:	(130 x 94 x 26)mm Weight: 340g
ACCESSORIES:	AC-DC Power Adaptor 12V-DC, 1A



TYPICAL APPLICATIONS

ABtUS Video/Audio extender products are ideal for presentations, classrooms, multipurpose halls, remote monitoring, workstation environments, data centers, retail show rooms, Hotel and training facilities applications.

* Specifications are subject to changes without notice.

CAT-GA111R/AP3

1:1 VGA/STEREO AUDIO OVER CAT-5 RECEIVER WITH LOOP OUT AND SKEW CONTROL



DESCRIPTION

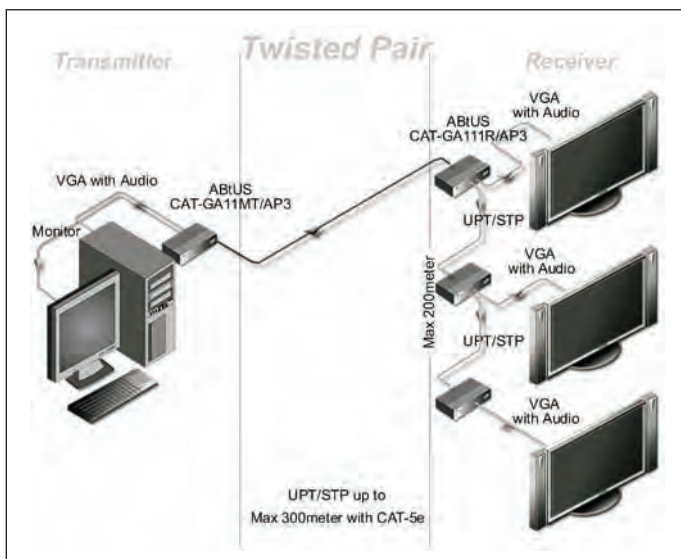
The ABUS CAT-GA111R/AP3 is a receiver that accepts signals resolution up to 1920 x 1200. It comes with a built-in Enhanced Skew Compensation as well as Level and EQ Adjustments, giving the receiver the ability to enrich the brightness and sharpness of the video image. With the enhanced feature of a Loop Out connector, the CAT-GA111R/AP3 is ideal for daisy chain connected applications. The built-in RGB Skew Compensation adjustment improves the VGA signal going through the CAT5 cable with changes to the R, G & B signals adjusted individually, signals are delayed as required for images to be overlaid properly. It also has "memorized & lock" function when adjusted.

FEATURES

- Output: RGBHV video on female 15-pin HD connector, stereo audio on 3.5mm mini-audio jack and One RJ45
- Receives computer video and Stereo Audio up to 1000 feet (305 meters) over CAT 5e UTP, CAT 5e STP or CAT 6 UTP cables
- Works well with monitors, projectors, HDTV and flat panels display
- Supports resolutions from VGA (640 x 480) to WUXGA (1920 x 1200)
- Loop Out connector (for daisy chain)
- Variable Level and EQ controls
- Digital Skew Compensation Control allows a fine adjustment for the delay in each color

TECHNICAL SPECIFICATION

VGA/AUDIO OUT:	1 (D-Sub 15 pin/3.5mm mini Jack)
RJ-45 CONNECTOR:	2 (*1 x Input & 1 x Loop Out)
ADJUSTMENT:	3 (*Skew Compensation)
ADJUSTMENT:	1 each (*Level/EQ)
MAX RESOLUTION:	1920 x 1200
POWER ADAPTER:	12V-DC, 1A
HOUSING:	Metal
DIMENSION/WEIGHT:	(130 x 94 x 26)mm Weight: 340g
ACCESSORIES:	AC-DC Power Adaptor 12V-DC, 1A



TYPICAL APPLICATIONS

ABUS Video/Audio extender products are ideal for presentations, classrooms, multipurpose halls, remote monitoring, workstation environments, data centers, retail show rooms, Hotel and training facilities applications.

* Specifications are subject to changes without notice.

CAT-GA11R/AP3

1:1 VGA/STEREO AUDIO OVER CAT-5 RECEIVER WITH SKEW CONTROL



DESCRIPTION

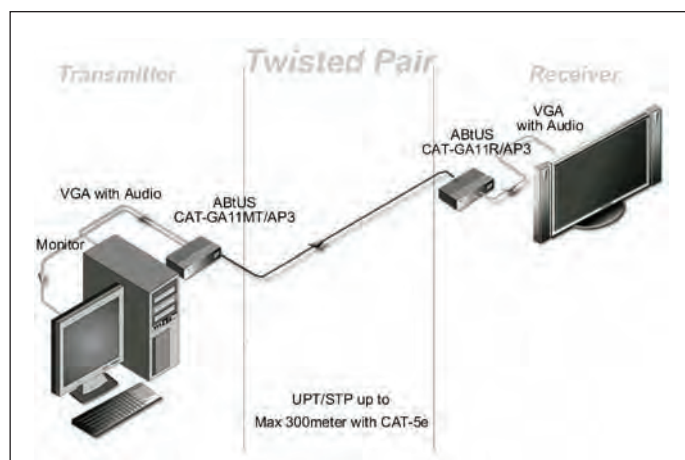
The ABTUS CAT-GA11R/AP3, a receiver that accepts signals resolution up to 1920 x 1200 which comes with a built-in Enhanced Skew Compensation as well as Level and EQ Adjustments, giving the receiver the ability to enrich the brightness and sharpness of the video image. The built-in RGB Skew Compensation adjustment improves the VGA signal going through the CAT5 cable with changes to the R, G & B signals adjusted individually, signals are delayed as required for images to be overlaid properly. It also has "memorized & lock" function when adjusted.

FEATURES

- Output: RGBHV video on female 15-pin HD connector, stereo audio on 3.5mm mini-audio jack
- Receives computer video and Stereo Audio up to 1000 feet (305 meters) over CAT 5e UTP, CAT 5e STP or CAT 6 UTP cables
- Works well with monitors, projectors, HDTV and flat panels display
- Supports resolutions from VGA (640 x 480) to WUXGA (1920 x 1200)
- Variable Level and EQ controls
- Digital Skew Compensation Control allows a fine adjustment for the delay in each color

TECHNICAL SPECIFICATION

VGA/AUDIO OUT:	1 (D-Sub 15 pin/3.5mm mini Jack)
RJ-45 CONNECTOR:	1 (*1 x Input)
ADJUSTMENT:	3 (*Skew Compensation)
ADJUSTMENT:	1 each (*Level/EQ)
MAX RESOLUTION:	1920 x 1200
POWER ADAPTER:	12V-DC, 1A
HOUSING:	Metal
DIMENSION/WEIGHT:	(130 x 94 x 26)mm Weight: 340g
ACCESSORIES:	AC-DC Power Adaptor 12V-DC, 1A



TYPICAL APPLICATIONS

ABTUS Video/Audio extender products are ideal for presentations, classrooms, multipurpose halls, remote monitoring, workstation environments, data centers, retail show rooms, Hotel and training facilities applications.

* Specifications are subject to changes without notice.

ABTUS

CAT-CP11T

1:1 COMPONENT VIDEO OVER CAT-5 TRANSMITTER

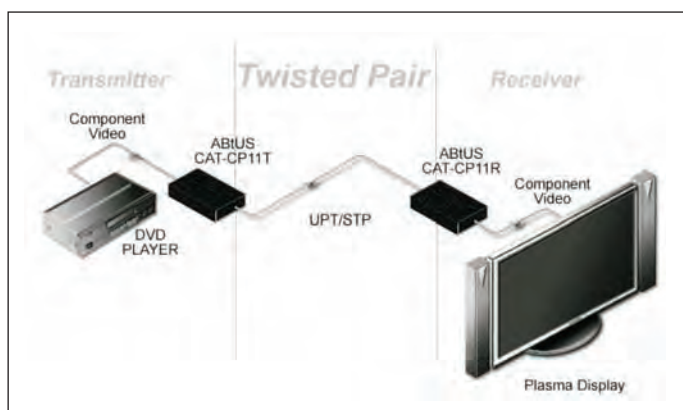


DESCRIPTION

The ABtUS CAT-CP11T extends component video signals up to 300 meters over CAT 5e (UTP/STP) cabling. CAT-CP11T transmits to the CAT-CP11R receiver with no loss of signal quality. AV professionals enjoy more flexibility and lower cost of CAT5 UTP cables for their AV installations.

FEATURES

- Extends Component Video over CAT5 cabling
- Receives Component Video up to 1000 feet (305 meters) over CAT 5e UTP, CAT 5e STP or CAT 6 UTP cables
- Works well with monitors, projectors, HDTV and flat panel display
- Supports resolutions from 480i to 1080p



TYPICAL APPLICATIONS

ABtUS Video/Audio extender products are ideal for presentations, classrooms, multipurpose halls, remote monitoring, workstation environments, data centers, retail show rooms, Hotel and training facilities applications.

TECHNICAL SPECIFICATION

COMPONENT VIDEO 3 X RCA:	1
RJ-45 CONNECTOR:	1
MAX RESOLUTION:	1080p
POWER ADAPTER:	12V-DC, 500mA
HOUSING:	Metal
DIMENSION/WEIGHT:	(99 x 70 x 26)mm Weight: 185g
ACCESSORIES:	AC-DC Power Adaptor 12V-DC, 500mA

* Specifications are subject to changes without notice.

CAT-CP11R

1:1 COMPONENT VIDEO OVER CAT-5 RECEIVER

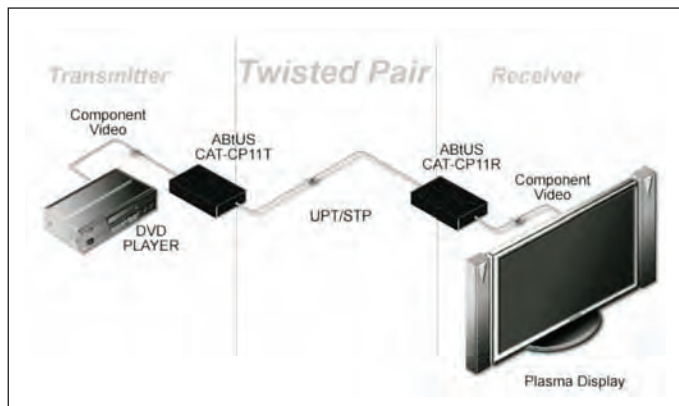


DESCRIPTION

The ABUS CAT-CP Series extends component video signals up to 300 meters over CAT 5e (UTP/STP) cables to the CAT-GA11R/A receiver with no loss of signal quality. AV professionals enjoy more flexibility and lower cost of CAT 5e UTP/STP cables for their AV installations.

FEATURES

- Extends Component Video over CAT5 cabling
- Receives Component Video up to 1000 feet (305 meters) over CAT 5e UTP, CAT 5e STP or CAT 6 UTP cables
- Works well with monitors, projectors, HDTV and flat panel display
- Variable Level and EQ controls
- Supports resolutions from 480i to 1080p



TECHNICAL SPECIFICATION

COMPONENT VIDEO 3 X RCA:	1
RJ-45 CONNECTOR:	1
ADJUSTMENT [*Level/EQ] :	1 each
MAX RESOLUTION:	1080p
POWER ADAPTER:	12V-DC, 500mA
HOUSING:	Metal
DIMENSION/WEIGHT:	(99 x 70 x 26)mm Weight: 185g
ACCESSORIES:	AC-DC Power Adaptor 12V-DC, 500mA

TYPICAL APPLICATIONS

ABUS Video/Audio extender products are ideal for presentations, classrooms, multipurpose halls, remote monitoring, workstation environments, data centers, retail show rooms, Hotel and training facilities applications.

* Specifications are subject to changes without notice.

CAT-CV11T/A

1:1 COMPOSITE VIDEO/STEREO AUDIO OVER CAT-5 TRANSMITTER

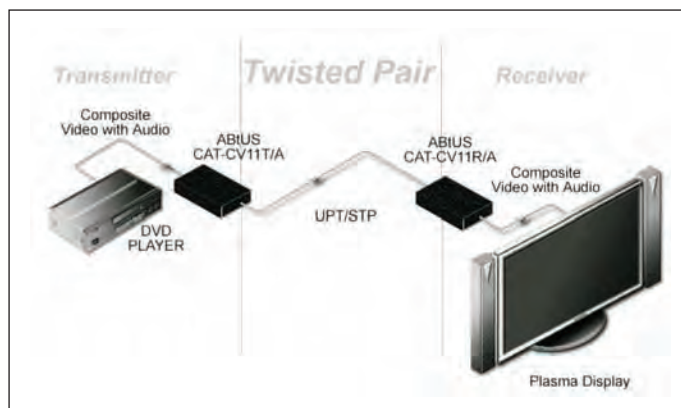


DESCRIPTION

The ABtUS CAT-CV11T/A extends composite video and audio signals into identical outputs and transmits up to 600 meters over CAT 5e (UTP/STP) cables. CAT-CV11T/A transmits to the CAT-CV11R/A receiver with no loss of signal quality. AV professionals enjoy more flexibility and lower cost of CAT5 UTP cables for their AV installations.

FEATURES

- Extends Composite Video/Stereo Audio over CAT5 cabling
- Receives Composite Video/Stereo Audio up to 605 meters over CAT 5e UTP, CAT 5e STP or CAT 6 UTP cables
- Works well with monitors, projectors, HDTV and flat panel display
- Variable Level and EQ controls
- Resolution support 728 x 578@25Hz



TECHNICAL SPECIFICATION

AV CONNECTOR 3 X RCA:	1
RJ-45 CONNECTOR:	4
MAX RESOLUTION:	728 x 578
POWER ADAPTER:	12V-DC, 500mA
HOUSING:	Metal
DIMENSION/WEIGHT:	(99 x 70 x 26)mm Weight: 185g
ACCESSORIES:	AC-DC Power Adaptor 12V-DC, 500mA

TYPICAL APPLICATIONS

ABtUS Video/Audio extender products are ideal for presentations, classrooms, multipurpose halls, remote monitoring, workstation environments, data centers, retail show rooms, hotels and training facilities applications.

* Specifications are subject to changes without notice.

CAT-CV111R/A

1:1 COMPOSITE VIDEO/STEREO AUDIO OVER CAT-5 RECEIVER WITH LOOP OUT



DESCRIPTION

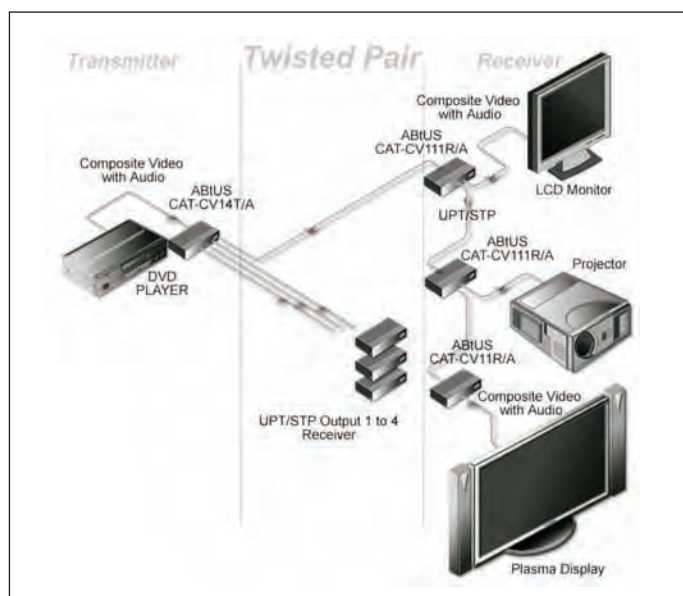
The ABtUS CAT-CV111R/A, a receiver that accepts signals resolution up to 728x578 which comes with a built-in Level and EQ Adjustments, giving the receiver the ability to enrich the brightness and sharpness of the video image. With the enhanced feature of a Loop Out, the CAT-CV111R/A is ideal for daisy chain connected applications.

FEATURES

- Extends Composite Video/Stereo Audio over CAT5 cabling
- Receives Composite Video/Stereo Audio up to 605 meters over CAT 5e UTP, CAT 5e STP or CAT 6 UTP cables
- Works well with monitors, projectors, HDTV and flat panel display
- Variable level and EQ controls
- Loop Out connector (for daisy chain)
- Resolution support 728 x 578@25Hz

TECHNICAL SPECIFICATION

AV CONNECTOR 3 X RCA:	1
RJ-45 CONNECTOR:	2 (* 1 x Input and 1 x Loop Out)
ADJUSTMENT (*Level/EQ):	1 each
MAX RESOLUTION:	728 x 578
POWER ADAPTER:	12V-DC, 500mA
HOUSING:	Metal
DIMENSION/WEIGHT:	(80 x 126 x 28)mm Weight: 320g
ACCESSORIES:	AC-DC Power Adaptor 12V-DC, 500mA



TYPICAL APPLICATIONS

ABtUS Video/Audio extender products are ideal for presentations, classrooms, multipurpose halls, remote monitoring, workstation environments, data centers, retail show rooms, hotels and training facilities applications.

* Specifications are subject to changes without notice.

CAT-CV11R/A

1:1 COMPOSITE VIDEO/STEREO AUDIO OVER CAT-5 RECEIVER

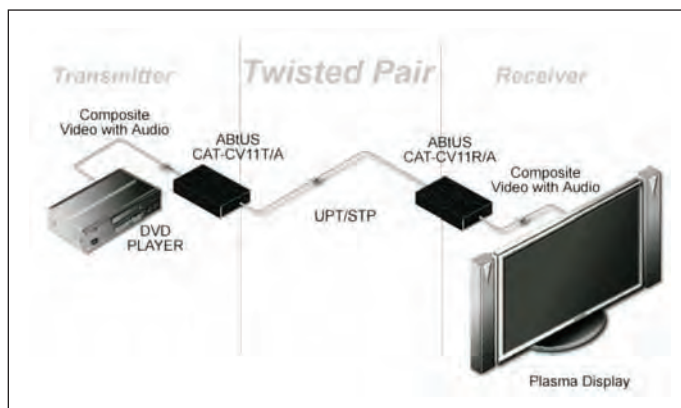


DESCRIPTION

The ABtUS CAT-CV Series extends composite video and audio signals into identical outputs and transmits over CAT 5e (UTP/STP) cables to the CAT-CV11R/A receiver with no loss of signal quality. AV professionals enjoy more flexibility and lower cost of CAT 5e UTP/STP cables for their AV installations.

FEATURES

- Extends Composite Video/Stereo Audio over CAT5 cabling
- Receives Composite Video/Stereo Audio up to 605 meters over CAT 5e UTP, CAT 5e STP or CAT 6 UTP cables
- Works well with monitors, projectors, HDTV and flat panels display
- Variable Level and EQ controls
- Resolution support 728 x 578@25Hz



TYPICAL APPLICATIONS

ABtUS Video/Audio extender products are ideal for presentations, classrooms, multipurpose halls, remote monitoring, workstation environments, data centers, retail show rooms, Hotel and training facilities applications.

TECHNICAL SPECIFICATION

AV CONNECTOR 3 X RCA:	1
RJ-45 CONNECTOR:	1
ADJUSTMENT [*Level/EQ]:	1 each
MAX RESOLUTION:	728 x 578
POWER ADAPTER:	12V-DC, 500mA
HOUSING:	Metal
DIMENSION/WEIGHT:	(99 x 70 x 26)mm Weight: 185g
ACCESSORIES:	AC-DC Power Adaptor 12V-DC, 500mA

* Specifications are subject to changes without notice.

CAT-CV14T/A

1:4 COMPOSITE VIDEO/STEREO AUDIO OVER CAT-5 TRANSMITTER

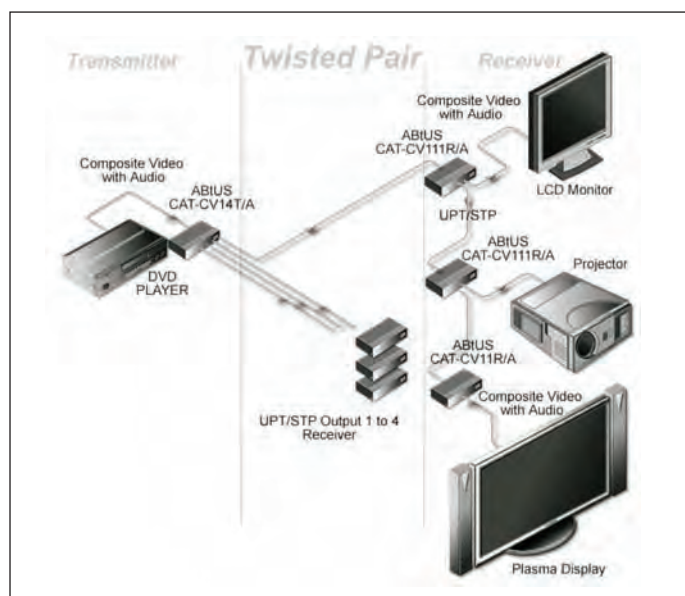


DESCRIPTION

The ABtUS CAT-CV14T/A extends composite video and audio signals into 4 identical outputs and transmits up to 600 meters over CAT 5e (UTP/STP) cables. The CAT-CV14T/A transmits to ABtUS CAT-CV series of receivers with no loss of signal quality. AV professionals enjoy more flexibility and lower cost of CAT5 UTP cables for their AV installations.

FEATURES

- Extends Composite Video/Stereo Audio over CAT5 cabling
- Receives Composite Video/Stereo Audio up to 600 meters over CAT 5e UTP, CAT 5e STP or CAT 6 UTP cables
- Works well with monitors, projectors, HDTV and flat panel display
- Connects to multiple video screens from one input source
- Resolution support 728 x 578@25Hz



TYPICAL APPLICATIONS

ABtUS Video/Audio extender products are ideal for presentations, classrooms, multipurpose halls, remote monitoring, workstation environments, data centers, retail show rooms, Hotel and training facilities applications.

TECHNICAL SPECIFICATION

AV CONNECTOR 3 X RCA:	1
RJ-45 CONNECTOR:	4
MAX RESOLUTION:	728 x 578
POWER ADAPTER:	12V-DC, 500mA
HOUSING:	Metal
DIMENSION/WEIGHT:	(80 x 126 x 28)mm Weight: 320g
ACCESSORIES:	AC-DC Power Adaptor 12V-DC, 500mA

* Specifications are subject to changes without notice.

CAT-RGB212T/AP

2:1X12 RGB/STEREO AUDIO OVER CAT-5 TRANSMITTER



DESCRIPTION

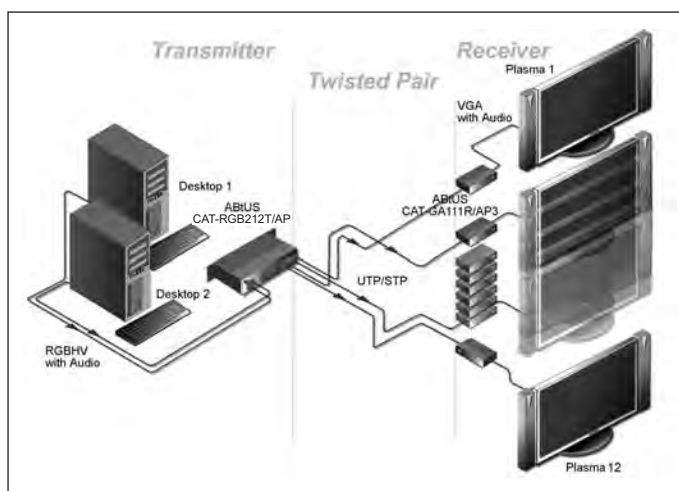
The CAT-RGB212T/AP is a Distribution Amplifier Extender System that allows either 1 of the 2 video signal/stereo audio to be sent to multiple display (*up to 12 displays) over long distances of Cat-5 cable (*300meter point-to-point). It supports resolutions from VGA (640x480) to WUXGA (1920x1200). The receiver has a built-in equalization and gain control to adjust the focus and brightness as well as a enhanced RGB Skew Compensation adjustment. This improves the VGA signal going thru the CAT5 cable with changes to the R, G & B signals adjusted individually, signals are delayed as required for images to be overlaid properly. It also come with a "memorized & lock" function features when properly adjusted.

FEATURES

- Extends VGA signal /stereo Audio over CAT5 cabling
- Receives computer video and stereo audio up to 1000 feet (305 meters) over CAT 5e UTP, CAT 5e STP or CAT 6 UTP cables
- Works well with monitors, projectors, HDTV and flat panels display
- Connects to multiple video screen from either one of the two Input sources
- Supports resolutions from VGA [640 x 480] to WUXGA [1920 x 1200]

TECHNICAL SPECIFICATION

INPUT:	2 x RGB-HV 5xBNC Connector 2 x 3.5mm block connector for balance/ un-balance audio
OUTPUT:	12 x RJ-45 Connector
COM PORT:	1 x 9 pin D-Sub Female connector
INPUT SELECTION:	2:1
MAX RESOLUTION:	1920 x 1200
HOUSING:	Metal
DIMENSION/WEIGHT:	[430 x 240 x 44]mm Weight: 1350g
ACCESSORIES:	Power cord
POWER SOURCE:	100 to 230 VAC, 50/60Hz



TYPICAL APPLICATIONS

ABtUS Video/Audio extender products are ideal for presentations, classrooms, multipurpose halls, remote monitoring, workstation environments, data centers, retail show rooms, hotels and training facilities

* Specifications are subject to changes without notice.

CAT-RGB224T/AP

2:1X24 RGB/STEREO AUDIO OVER CAT-5 TRANSMITTER



DESCRIPTION

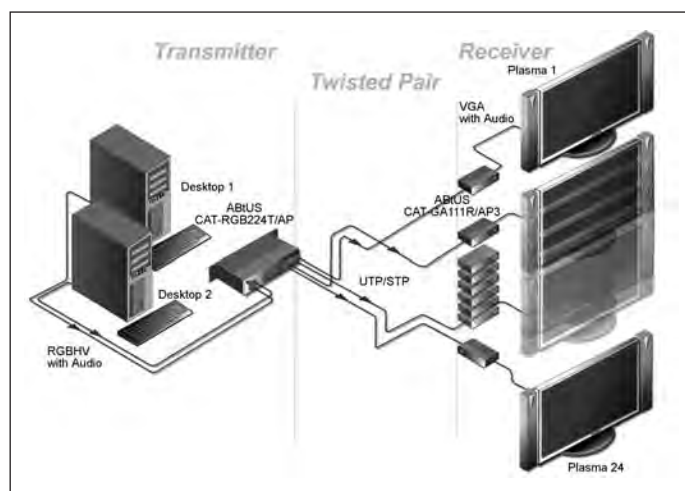
The CAT-RGB224T/AP is a Distribution Amplifier Extender System that allows either 1 of the 2 video signal/stereo audio to be sent to multiple display (*up to 24 displays) over long distances of Cat-5 cable (*300meter point-to-point). It supports resolutions from VGA (640x480) to WUXGA (1920x1200). The receiver has a built-in equalization and gain control to adjust the focus and brightness as well as a enhanced RGB Skew Compensation adjustment. This improves the VGA signal going thru the CAT5 cable with changes to the R, G & B signals adjusted individually, signals are delayed as required for images to be overlaid properly. It also come with a "memorized & lock" function features when properly adjusted.

FEATURES

- Extends VGA signal / stereo Audio over CAT5 cabling
- Receives computer video and stereo audio up to 1000 feet (305 meters) over CAT 5e UTP, CAT 5e STP or CAT 6 UTP cables
- Works well with monitors, projectors, HDTV and flat panels display
- Connects to multiple video screen from either one of the two Input sources
- Supports resolutions from VGA (640 x 480) to WUXGA (1920 x 1200)

TECHNICAL SPECIFICATION

INPUT:	2 x RGB-HV 5xBNC Connector 2 x 3.5mm block connector for balance/un-balance audio
OUTPUT:	24 x RJ-45 Connector
COM PORT:	1 x 9 pin D-Sub Female connector
SWITCHING SELECTION:	2:1
MAX RESOLUTION:	1920 x 1200
HOUSING:	Metal
DIMENSION/WEIGHT:	(430 x 240 x 44)mm Weight: 1350g
ACCESSORIES:	Power card
POWER SOURCE:	100 to 230 VAC, 50/60Hz



TYPICAL APPLICATIONS

ABIUS Video/Audio extender products are ideal for presentations, classrooms, multipurpose halls, remote monitoring, workstation environments, data centers, retail show rooms, hotels and training facilities

* Specifications are subject to changes without notice.

CAT-HDX11MT/A

HDMI (FHD) OVER SINGLE CAT-5E WITH IR AND RS-232 (TRANSMITTER)



DESCRIPTION

Home Application

Enhance your home entertainment center and extend HDMI devices throughout your home and home Network.

Data Broadcasting

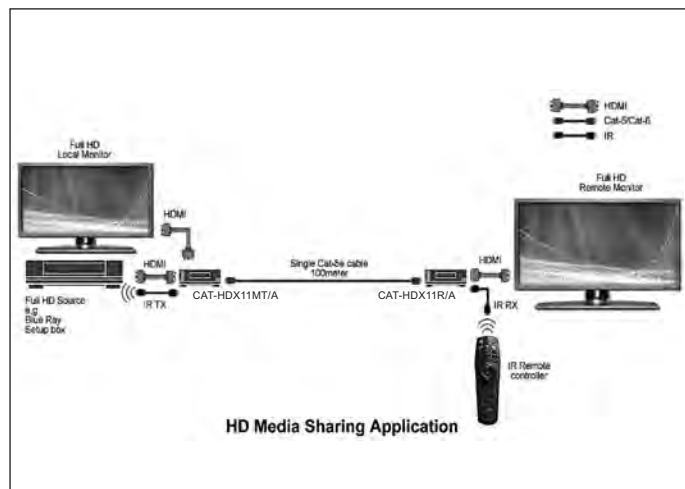
Data such as news, stock prices, sports results, and flight information can be broadcast in real time to various monitors.

FEATURES

- HDMI Version 1.3b Compliance
- HDCP Compliance
- With Local Monitor Out
- Extend Full HD (1900x1200) or 1080p HDMI Up to 100meter over a Single Cat-5e Cable
- With USB, IR and or RS-232 Control
- Pass Through (depending on model)

TECHNICAL SPECIFICATION

HDMI COMPLIANCE:	1080p - 60Hz 1.3b	
HDCP COMPLIANCE:	Yes	
VIDEO BANDWIDTH:	1080p 60Hz 225 MHz	
VIDEO SUPPORT:	480i/480p/720p/1080i/1080p60 up to 36-bit color	
AUDIO SUPPORT:	Surround sound (up to 7.1ch) or stereo digital audio	
HDMI over UTP [24 bit]:	Full HD (1080p) -100m (330ft)	
TRANSMISSION RANGE:	HD 1080p - 100m / CAT-5e	
INPUT TMDS SIGNAL:	1.3 Volts [peak-to-peak]	
INPUT DDC SIGNAL:	5 Volts [peak-to-peak, TTL]	
ESD PROTECTION:	[1] Human body model— ±15kV [air-gap discharge] & ±15kV [contact discharge] [2] Core chipset — ±15kV	
PCB STACK-UP:	6-layer board [impedance control— differential 100Ω; single 50Ω]	
	Transmitter	Receiver
INPUT:	1x HDMI	-
	-	1x IR
	-	1x RJ45
OUTPUT:	1x HDMI (monitor out)	1x HDMI
	1x IR	-
	1x RJ45	-
COMMUNICATION I/O:	1x RS-232	1x RS-232
HDMI SOURCE CONTROL:	Controllable via IR pass-through from IR receiver at RX to IR blaster at TX	



TYPICAL APPLICATIONS

Home Application; HD Presentation; Data Broadcasting; Learning and Training

* Specifications are subject to changes without notice.

CAT-HDX11R/A

HDMI (FHD) OVER SINGLE CAT-5E WITH IR AND RS-232 (RECEIVER)



DESCRIPTION

Home Application

Enhance your home entertainment center and extend HDMI devices throughout your home and home Network.

Data Broadcasting

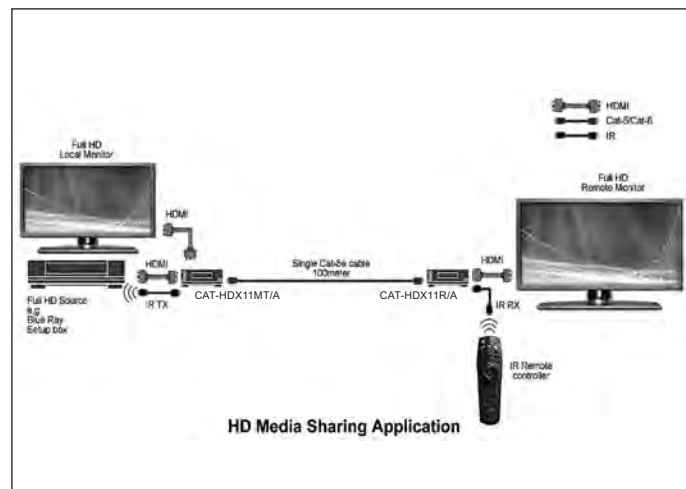
Data such as news, stock prices, sports results, and flight information can be broadcast in real time to various monitors.

FEATURES

- HDMI Version 1.3b Compliance
- HDCP Compliance
- With Local Monitor Out
- Extend Full HD (1900x1200) or 1080p HDMI Up to 100meter over a Single Cat-5e Cable
- With USB, IR and or RS-232 Control
- Pass Through (depending on model)

TECHNICAL SPECIFICATION

HDMI COMPLIANCE:	1080p - 60Hz 1.3b
HDCP COMPLIANCE:	Yes
VIDEO BANDWIDTH:	1080p 60Hz 225 MHz
VIDEO SUPPORT:	480i/480p/720p/1080i/1080p60 up to 36-bit color
AUDIO SUPPORT:	Surround sound (up to 7.1ch) or stereo digital audio
HDMI over UTP [24 bit]:	Full HD (1080p) -100m (330ft)
TRANSMISSION RANGE:	HD 1080p - 100m / CAT-5e
INPUT TMDS SIGNAL:	1.3 Volts [peak-to-peak]
INPUT DDC SIGNAL:	5 Volts [peak-to-peak, TTL]
ESD PROTECTION:	[1] Human body model— ±15kV [air-gap discharge] & ±15kV [contact discharge] [2] Core chipset — ±15kV
PCB STACK-UP:	6-layer board [impedance control — differential 100Ω; single 50Ω]
INPUT:	Transmitter 1x HDMI - - Receiver - 1x IR 1x RJ45
OUTPUT:	1x HDMI (monitor out) 1x IR 1x RJ45 -
COMMUNICATION I/O:	1x RS-232 1x RS-232
HDMI SOURCE CONTROL:	Controllable via IR pass-through from IR receiver at RX to IR blaster at TX



TYPICAL APPLICATIONS

Home Application; HD Presentation; Data Broadcasting; Learning and Training

* Specifications are subject to changes without notice.

ABUS

AVA-GA12N/A2

1:2 VGA DIGITAL AMPLIFIER WITH AUDIO (NO EXTERNAL POWER REQUIRED)



DESCRIPTION

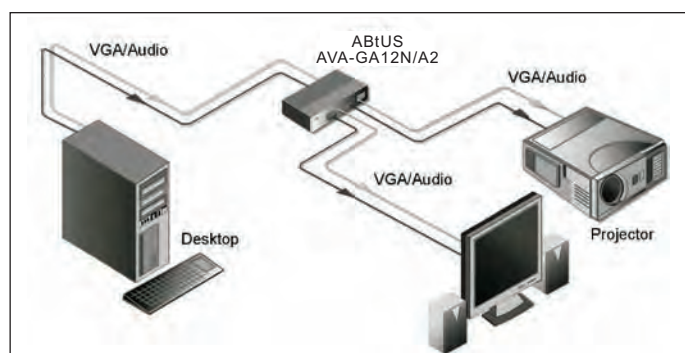
The ABtUS AVA-GA12N/A2 is a high quality 1:2 VGA Distribution Amplifier specially catered for professional AV system integrators who require high dependable performance in their installations. The AVA-GA12N/A2 is specially designed to work without an external power supply (plug & play) and can support a cable run of up to 50m in a typical application. Simply connect it to your computer and your display devices such as projectors, Plasma and LCD monitors and the AVA-GA series will provide high quality output for up to 2 display devices.

FEATURES

- By using AD chipset (Analog Device), the AVA-GA series has a dedicated high bandwidth of 900 MHz (R+G+B) to ensure maximum transparency even for the most critical applications at the highest resolution UXGA mode. It is ideal for presentation systems requiring a local monitor or up to 2 different remote display units. The AVA-GA12N/A2 is also compatible with HDTV component video signals when using a break cable for VGA to component. A 12V power supply is included for applications where required.
- Compatible with all monitors, projectors, HDTVs and flat panel displays

TECHNICAL SPECIFICATION

INPUT:	1 x VGA D-Sub 15 pin Female connector With 3.5mm mini audio jack
OUTPUT:	2 x VGA D-Sub 15 pin Female connector With 3.5mm mini audio jack
BANDWIDTH:	(-3dB) 900MHz
MAX RESOLUTION:	1600 x 1200
SIGNAL TYPE:	VGA, SVGA, XGA, UXGA, Multi sync
CABLE LENGTH (INPUT):	1 to 3 meter (*With a full 15 pin VGA Cable)
CABLE LENGTH (OUTPUT):	1 to 50 meter (*Depending on cable rating)
HOUSING:	Metal
DIMENSION/WEIGHT:	(300 x 112.4 x 44)mm Weight:620g
ACCESSORIES:	AC-DC Power Adaptor 12V-DC, 500mA
POWER SOURCE:	12V-DC, 500mA [* Used Only when required]



TYPICAL APPLICATIONS

The AVA-GA12N/A is part of the ABtUS series of high quality, high bandwidth and cost effective Distribution Amplifiers and Switchers designed specially for professional installers. ABtUS products can be found in industrial, commercial, educational, military and government applications like:

- Schools • Training rooms • Broadcast and duplication studios • Workstation environments • Retailshowrooms • CCTV and surveillance • Multipurpose Hall

* Specifications are subject to changes without notice.

AVA-GA14G/A

1:4 VGA DIGITAL AMPLIFIER WITH AUDIO

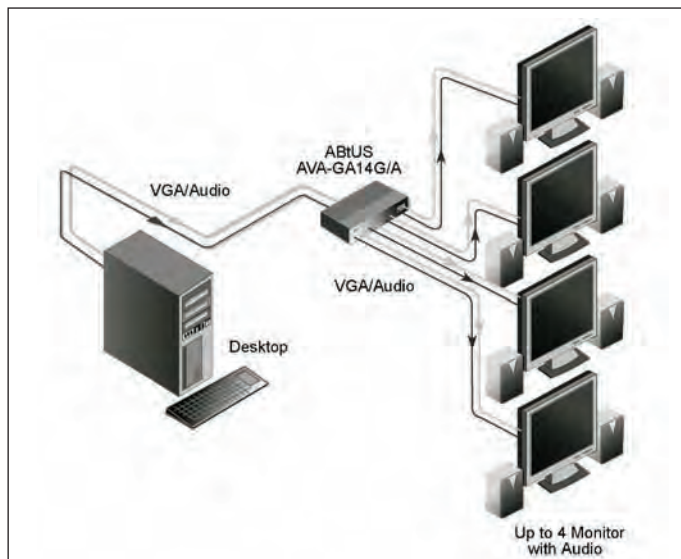


DESCRIPTION

The ABTUS AVA-GA14G/A is high quality VGA Distribution Amplifier specially caters for professional AV system integrators who require high dependable performance in their installations. Simply connect them to your computer and your display devices such as projectors, Plasma and LCD monitors and these distribution amplifiers will provide the highest quality output for up to 4 display devices.

FEATURES

- With a video bandwidth of 900MHz, it ensures the Amplifier remains transparent even for high resolution VGA modes like UXGA. It is ideal for presentation systems requiring a local monitor or up to 2 [AVA-GA12G/A] & 4 [AVA-GA14G/A] different display units.
- Compatible with all monitors, projectors, HDTVs and flat panel displays



TYPICAL APPLICATIONS

The AVA-GA14G/A is part of the ABTUS series of high quality, high bandwidth and cost effective Distribution Amplifiers and Switchers designed specially for professional installers. ABTUS products can be found in industrial, commercial, educational, military and government applications like:

- Schools • Training rooms • Broadcast and duplication studios • Workstation environments • Retailshowrooms • CCTV and surveillance • Multipurpose Hall

TECHNICAL SPECIFICATION

INPUT:	1 x VGA D-Sub 15 pin Female connector with 3.5mm PC Audio
OUTPUT:	4 x VGA D-Sub 15 pin Female connector with 3.5mm PC Audio
BANDWIDTH:	(-3dB) 900MHz
MAX RESOLUTION:	1600 x 1200
SIGNAL TYPE:	VGA, SVGA, XGA, UXGA, Multi sync
CABLE LENGTH (INPUT):	1 to 3 meter
CABLE LENGTH (OUTPUT):	1 to 50 meter [* Depending on cable rating]
HOUSING:	Metal
DIMENSION/WEIGHT:	(200 x 112.4 x 44)mm Weight: 800g
ACCESSORIES:	AC-DC Power Adaptor 12V-DC, 500mA
POWER SOURCE:	12V-DC, 500mA

* Specifications are subject to changes without notice.

ABTUS

AVA-GA18G/A

1:8 VGA DIGITAL AMPLIFIER WITH AUDIO

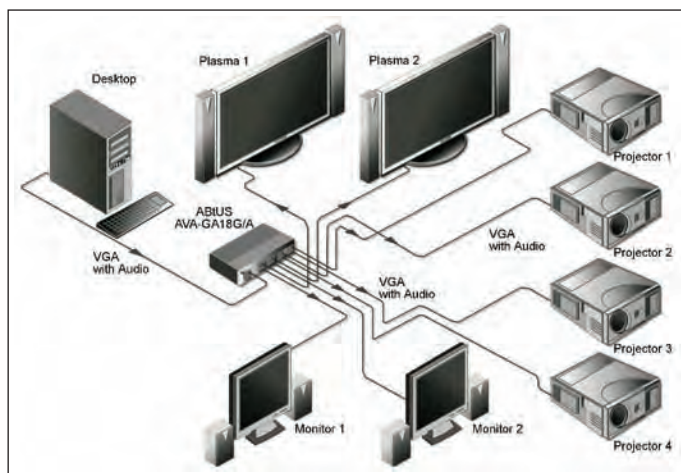


DESCRIPTION

The ABTUS AVA-GA18G/A is a high quality VGA Distribution Amplifier specially catered for professional AV system integrators who require high dependable performance in their installations. Simply connect it to your computer and your display devices such as projectors, Plasma and LCD monitors and the AVA-GA18G/A will provide the highest quality output for up to 8 display devices.

FEATURES

- With a video bandwidth of 900MHz, it ensures the Amplifier remains transparent even for high resolution VGA modes like UXGA. It is ideal for presentation systems requiring a local monitor or up to 8 different display units.
- Compatible with all monitors, projectors, HDTVs and flat panel displays



TYPICAL APPLICATIONS

The AVA-GA18G/A is part of the ABTUS series of high quality, high bandwidth and cost effective Distribution Amplifiers and Switchers designed specially for professional installers. ABTUS products can be found in industrial, commercial, educational, military and government applications like:

- Schools • Training rooms • Broadcast and duplication studios • Workstation environments • Retail showrooms • CCTV and surveillance • Multipurpose Hall

TECHNICAL SPECIFICATION

INPUT:	1 x VGA D-Sub 15 pin Female connector with 3.5mm PC Audio
OUTPUT:	8 x VGA D-Sub 15 pin Female connector with 3.5mm PC Audio
BANDWIDTH:	(-3dB) 900MHz
MAX RESOLUTION:	1600 x 1200
SIGNAL TYPE:	VGA, SVGA, XGA, UXGA, Multi sync
CABLE LENGTH (INPUT):	1 to 3 meter
CABLE LENGTH (OUTPUT):	1 to 50 meter [* Depending on cable rating]
HOUSING:	Metal
DIMENSION/WEIGHT:	(300 x 112.4 x 44)mm Weight: 1200g
ACCESSORIES:	AC-DC Power Adaptor 12V-DC, 500mA
POWER SOURCE:	12V-DC, 500mA

* Specifications are subject to changes without notice.

AVA-GA116G

1:16 VGA DIGITAL AMPLIFIER

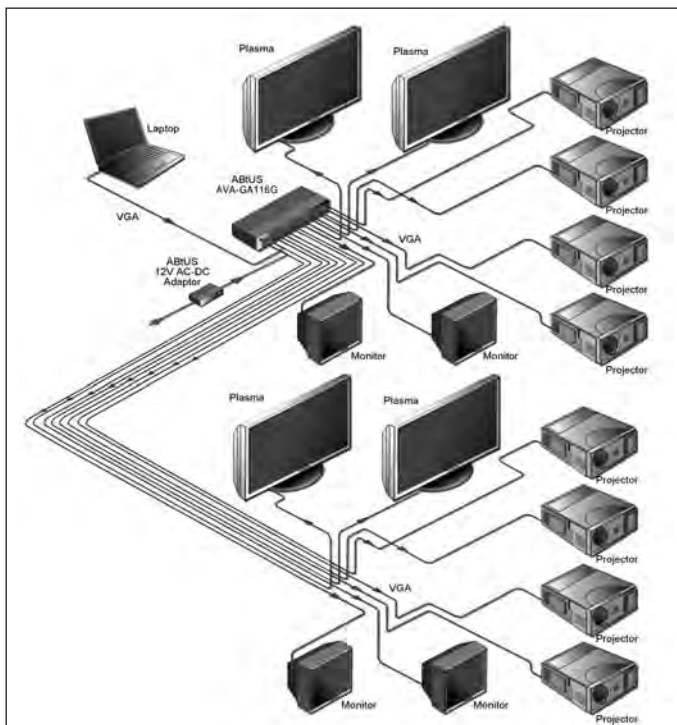


DESCRIPTION

The ABTUS AVA-GA116G is a high quality VGA Distribution Amplifier specially catered for professional AV system integrators who require high dependable performance in their installations. Simply connect it to your computer and your display devices such as projectors, Plasma and LCD monitors and the AVA-GA116G will provide the highest quality output for up to 16 display devices.

FEATURES

- With a video bandwidth of 900MHz, it ensures the Amplifier remains transparent even for high resolution VGA modes like UXGA. It is ideal for presentation systems requiring a local monitor or up to 16 different display units.
- Compatible with all monitors, projectors, HDTVs and flat panel displays



TYPICAL APPLICATIONS

The AVA-GA116G is part of the ABTUS series of high quality, high bandwidth and cost effective Distribution Amplifiers and Switchers designed specially for professional installers. ABTUS products can be found in industrial, commercial, educational, military and government applications like:

- Schools • Training rooms • Broadcast and duplication studios • Workstation environments • Retail showrooms • CCTV and surveillance • Multipurpose Hall

TECHNICAL SPECIFICATION

INPUT:	1 x VGA D-Sub 15 pin Female connector
OUTPUT:	16 x VGA D-Sub 15 pin Female connector
BANDWIDTH:	(-3dB) 900MHz
MAX RESOLUTION:	1600 x 1200 UXGA
SIGNAL TYPE:	VGA, SVGA, XGA, UXGA, Multi sync
CABLE LENGTH (INPUT):	1 to 3 meter
CABLE LENGTH (OUTPUT):	1 to 50 meter [* Depending on cable rating]
HOUSING:	Metal
DIMENSION/WEIGHT:	[482.6 x 177.8 x 25.4]mm Weight: 2.8kg. [6.2 lbs.] approx.
ACCESSORIES:	AC-DC Power Adaptor 12V-DC, 500mA
POWER SOURCE:	12V-DC, 500mA

* Specifications are subject to changes without notice.

ABTUS

AVA-GA24G/A & 24G/AP

2:1X4 VGA DIGITAL AMPLIFIER SWITCHER WITH STEREO AUDIO

[* AP: WITH EXTERNAL CONTROL COM PORT]

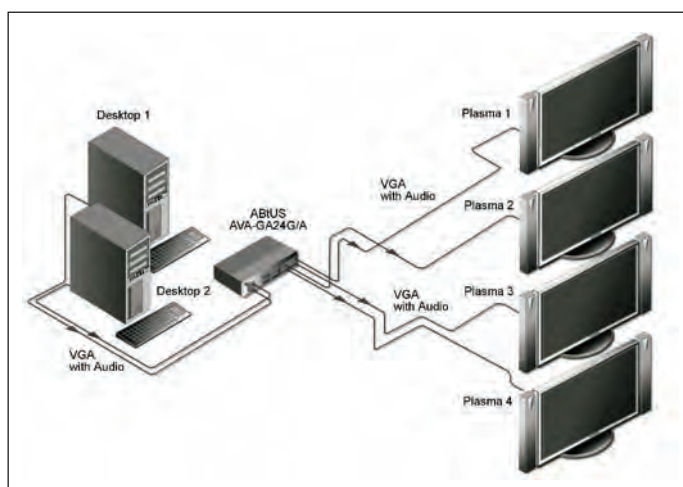


DESCRIPTION

The ABtUS AVA-GA24G/A Distribution Amplifier is specially designed for computer and workstation applications. Either 1 of the 2 input can be selected and split to a VGA/SVGA/XGA/UXGA graphic output of up to 4 monitors with no discernible signal degradation. State-of-the-art power management circuitry makes AVA-GA24G/A the first choice signal distributor. With its high signal bandwidth of 900MHz, identical high defined output can be achieved throughout.

FEATURES

- With the 2 Input arrangements, any of the two video sources can now be amplified and distributed with high-resolution. It is ideal for presentation systems requiring two VGA sources with a local monitor or up to 4 different display units.
- Compatible with all monitors, projectors, HDTV and flat panels display



TYPICAL APPLICATIONS

The AVA-GA24G/A is part of the ABtUS series of high quality, high bandwidth and cost effective Distribution Amplifiers and Switchers designed specially for professional installers. ABtUS products can be found in industrial, commercial, educational, military and government applications like:

- Schools • Training rooms • Broadcast and duplication studios • Workstation environments • Retailshowrooms • CCTV and surveillance • Multipurpose Hall

TECHNICAL SPECIFICATION

INPUT:	2 x VGA D-Sub 15 pin Female connector With 3.5mm mini audio jack
OUTPUT:	4 x VGA D-Sub 15 pin Female connector With 3.5mm mini audio jack
BANDWIDTH:	(-3dB) 900MHz
MAX RESOLUTION:	1600 x 1200
SIGNAL TYPE:	VGA, SVGA, XGA, UXGA, Multi sync
CABLE LENGTH (INPUT):	1 to 3 meter
CABLE LENGTH (OUTPUT):	1 to 50 meter [*Depending on cable rating]
EXTERNAL COM PORT:	1x for AP model only.
HOUSING:	Metal
DIMENSION/WEIGHT:	(200 x 112.4 x 44)mm Weight: 800g
ACCESSORIES:	AC-DC Power Adaptor 12V-DC, 500mA
POWER SOURCE:	12V-DC, 500mA

* Specifications are subject to changes without notice.

AVA-GA28G/A & 28G/AP

2:1X8 VGA DIGITAL AMPLIFIER SWITCHER WITH STEREO AUDIO

[*AP: WITH EXTERNAL CONTROL COM PORT]

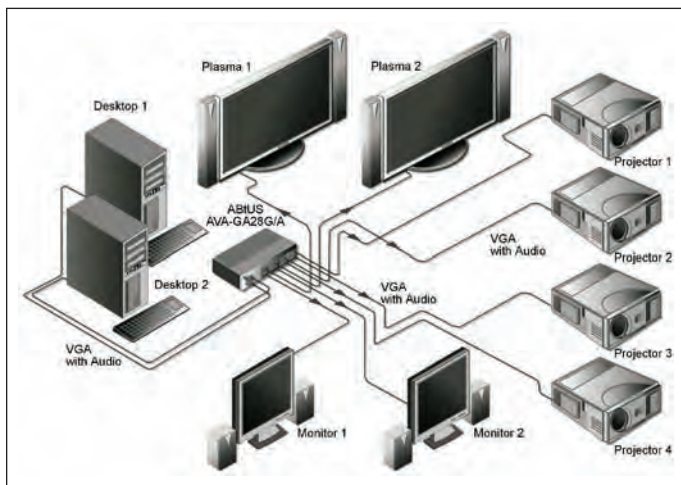


DESCRIPTION

The ABTUS AVA-GA28G/A Distribution Amplifier is specially designed for computer and workstation applications. Either 1 of the 2 input can be selected and split to a VGA/SVGA/XGA/UXGA graphic output of up to 8 monitors with no discernible signal degradation. State-of-the-art power management circuitry makes AVA-GA28G/A the first choice signal distributor. With its high signal bandwidth of 900MHz identical high defined output can be achieved throughout.

FEATURES

- With the 2 input arrangements, any of the two video sources can now be amplified and distributed with high-resolution. It is ideal for presentation systems requiring 2 VGA sources with a local monitor or up to 4 different display units.
- Compatible with all monitors, projectors, HDTVs and flat panel displays.



TYPICAL APPLICATIONS

The AVA-GA28G/A is part of the ABTUS series of high quality, high bandwidth and cost effective Distribution Amplifiers and Switchers designed specially for professional installers. ABTUS products can be found in industrial, commercial, educational, military and government applications like:

- Schools • Training rooms • Broadcast and duplication studios • Workstation environments • Retailshowrooms • CCTV and surveillance • Multipurpose Hall

TECHNICAL SPECIFICATION

INPUT:	2 x VGA D-Sub 15 pin Female connector With 3.5mm mini audio jack
OUTPUT:	8 x VGA D-Sub 15 pin Female connector With 3.5mm mini audio jack
BANDWIDTH:	[-3dB] 900MHz
MAX RESOLUTION:	1600 x 1200
SIGNAL TYPE:	VGA, SVGA, XGA, UXGA, Multi sync
CABLE LENGTH (INPUT):	1 to 3 meter
CABLE LENGTH (OUTPUT):	1 to 50 meter [*Depending on cable rating]
EXTERNAL COM PORT:	1x for AP model only.
HOUSING:	Metal
DIMENSION/WEIGHT:	(310 x 112.4 x 44)mm Weight:1200g
ACCESSORIES:	AC-DC Power Adaptor 12V-DC, 500mA
POWER SOURCE:	12V-DC, 500mA

* Specifications are subject to changes without notice.

ABTUS

AVS-GA82A & 82A/P

8:1X2 VGA SWITCHER DIGITAL AMPLIFIER WITH STEREO AUDIO

[* AP: WITH EXTERNAL CONTROL COM PORT]

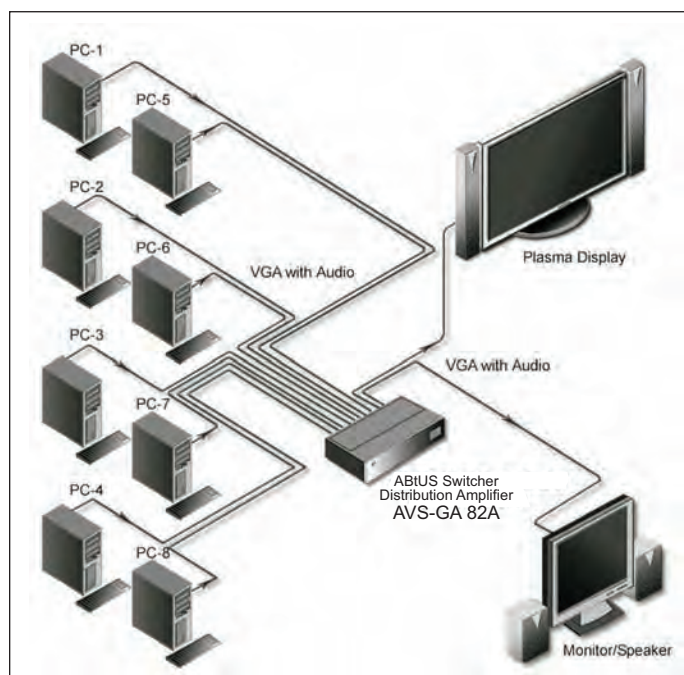


DESCRIPTION

The ABTUS AVS-GA82A/P Switcher Distribution Amplifier is specially designed for computer and workstation applications. Either one of the 8 input can be selected and split to a VGA/SVGA/XGA/UXGA graphic output and stereo audio up to a local and remote monitor with no discernible signal degradation. State-of-the-art power management circuitry makes AVS-GA82AP the first choice signal distributor. With its high signal bandwidth of 900MHz identical high defined output can be achieved throughout.

FEATURES

- With the 8 Input arrangements, any of the eight video sources can now be selectively amplified and distributed with high transparency even for high-resolution VGA modes like UXGA. It is ideal for presentation systems requiring 8 VGA sources with a local monitor and/or up to 2 different display units.
- Compatible with all monitors, projectors, HDTVs and flat panel displays.



TYPICAL APPLICATIONS

The AVS-GA82A/P is part of the ABTUS series of high quality, high bandwidth and cost effective Distribution Amplifiers and Switchers designed specially for professional installers. ABTUS products can be found in industrial, commercial, educational, military and government applications like:

- Schools • Training rooms • Broadcast and duplication studios • Workstation environments • Retailshowrooms • CCTV and surveillance • Multipurpose Hall

TECHNICAL SPECIFICATION

INPUT:	8 x VGA D-Sub 15 pin Female connector With 3.5mm mini audio jack
OUTPUT:	2 x VGA D-Sub 15 pin Female connector With 3.5mm mini audio jack
BANDWIDTH:	(-3dB) 900MHz
MAX RESOLUTION:	1600 x 1200
SIGNAL TYPE:	VGA, SVGA, XGA, UXGA, Multi sync
CABLE LENGTH (INPUT):	1 to 3 meter
CABLE LENGTH (OUTPUT):	1 to 50 meter [*Depending on cable rating]
EXTERNAL COM PORT:	1x for AP model only.
HOUSING:	Metal
DIMENSION/WEIGHT:	(310 x 112.4 x 44)mm Weight: 1200g
ACCESSORIES:	AC-DC Power Adaptor 12V-DC, 500mA
POWER SOURCE:	12V-DC, 500mA

* Specifications are subject to changes without notice.

MAX-GA84/AP

8X4 VGA/STEREO AUDIO MATRIX SWITCHERS

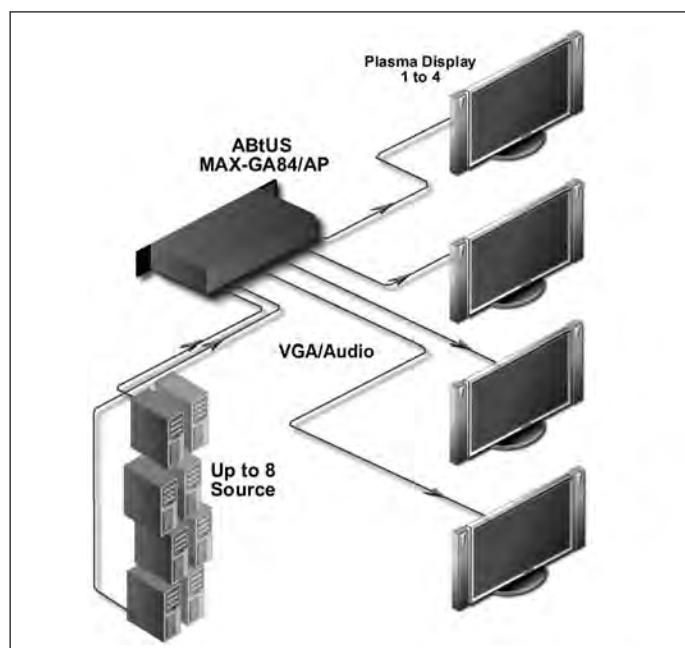


DESCRIPTION

The ABtUS MAX-GA84/AP Matrix is specially designed for computer and workstation applications. Up to 8 VGA/SVGA/XGA/UXGA graphic input can be split or route to any 1 or up to 4 output with no discernible signal degradation. State-of-the-art power management circuitry makes MAX-GA84/AP the first choice signal distributor. With its high signal bandwidth of 900MHz identical high defined output can be achieved throughout.

FEATURES

- With the 8 Input arrangements, any of the 8 video/audio sources can now be the selectively amplified and distributed with high transparency even for high-resolution VGA modes like UXGA to any of the 4 display panels. It is ideal for presentation systems requiring 8 VGA sources with a local monitor and/or up to 4 different display units.
- Compatible with all monitors, projectors, HDTVs and flat panel displays



TYPICAL APPLICATIONS

The MAX-GA84/AP is part of the ABtUS series of high quality, high bandwidth and cost effective Distribution Amplifiers and Switchers designed specially for professional installers. ABtUS products can be found in industrial, commercial, educational, military and government applications like:

- Schools • Training rooms • Broadcast and duplication studios • Workstation environments • Retailshowrooms • CCTV and surveillance • Multipurpose Hall

TECHNICAL SPECIFICATION

INPUT:	8 x VGA D-Sub 15 pin Female connector, 8x3.5mm block connector for balance/ un-balance audio
OUTPUT:	4 x VGA D-Sub 15 pin Female connector, 8x3.5mm block connector for balance/ un-balance audio
COM PORT:	1 x 9 pin D-Sub Female connector
BANDWIDTH:	(-3dB) 900MHz
MAX RESOLUTION:	1600 x 1200
SIGNAL TYPE:	VGA, SVGA, XGA, UXGA, Multi sync
CABLE LENGTH (INPUT):	1 to 3 meter
CABLE LENGTH (OUTPUT):	1 to 50 meter [*Depending on cable rating]
HOUSING:	Metal
DIMENSION/WEIGHT:	(430 x 240 x 44)mm Weight:1350g
ACCESSORIES:	Power cord
POWER SOURCE:	100 to 230 VAC, 50/60Hz

* Specifications are subject to changes without notice.

ABtUS

MAX-GA88/AP

8X8 VGA/STEREO AUDIO MATRIX SWITCHERS

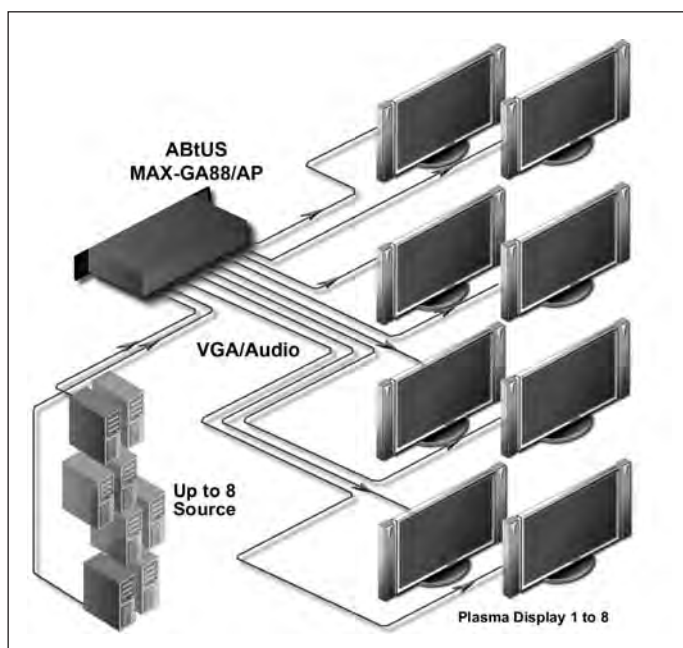


DESCRIPTION

The ABtUS MAX-GA88/AP Matrix is specially designed for computer and workstation applications. Up to 8 VGA/SVGA/XGA/UXGA graphic input can be split or route to any 1 or up to 8 output with no discernible signal degradation. State-of-the-art power management circuitry makes MAX-GA88/AP the first choice signal distributor. With its high signal bandwidth of 900MHz identical high defined output can be achieved throughout.

FEATURES

- With the 8 Input arrangements, any of the 8 video/audio sources can now be selectively amplified and distributed with high transparency even for high-resolution VGA modes like UXGA to any of the 8 display panels. It is ideal for presentation systems requiring 8 VGA sources with a local monitor and/or up to 8 different display units.
- Compatible with all monitors, projectors, HDTVs and flat panel displays



TYPICAL APPLICATIONS

The MAX-GA88/AP is part of the ABtUS series of high quality, high bandwidth and cost effective Distribution Amplifiers and Switchers designed specially for professional installers. ABtUS products can be found in industrial, commercial, educational, military and government applications like:

- Schools • Training rooms • Broadcast and duplication studios • Workstation environments • Retail showrooms • CCTV and surveillance • Multipurpose Hall

TECHNICAL SPECIFICATION

INPUT:	8 x VGA D-Sub 15 pin Female connector, 8x3.5mm block connector for balance/un-balance audio
OUTPUT:	8 x VGA D-Sub 15 pin Female connector, 8x3.5mm block connector for balance/un-balance audio
COM PORT:	1 x 9 pin D-Sub Female connector
BANDWIDTH:	(-3dB) 900MHz
MAX RESOLUTION:	1600 x 1200
SIGNAL TYPE:	VGA, SVGA, XGA, UXGA, Multi sync
CABLE LENGTH (INPUT):	1 to 3 meter
CABLE LENGTH (OUTPUT):	1 to 50 meter (*Depending on cable rating)
HOUSING:	Metal
DIMENSION/WEIGHT:	(430 x 240 x 130)mm Weight:1350g
ACCESSORIES:	Power cord
POWER SOURCE:	100 to 230 VAC, 50/60Hz

* Specifications are subject to changes without notice.

MAX-RGB88/AP

8X8 RGB/STEREO AUDIO MATRIX SWITCHERS

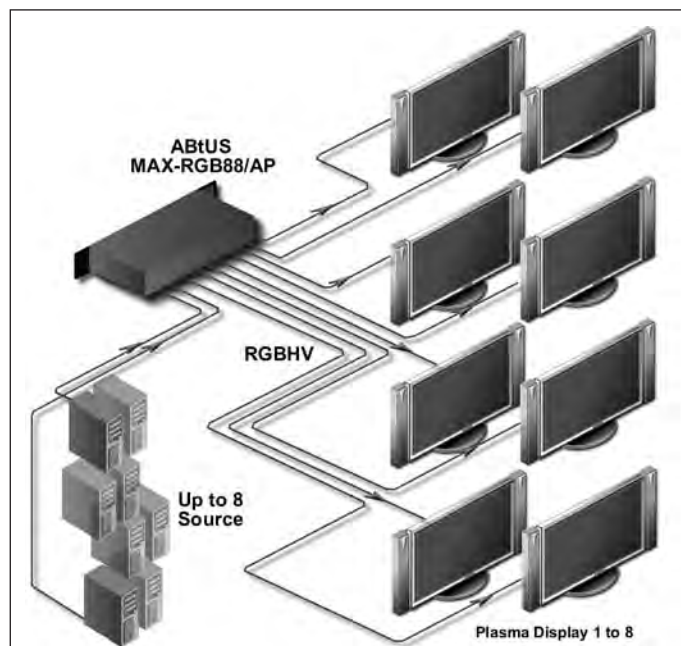


DESCRIPTION

The ABtUS MAX-RGB88/AP Matrix is specially designed for computer and workstation applications. Up to 8 VGA/SVGA/XGA/UXGA graphic input can be split or route to any 1 or up to 8 output with no discernible signal degradation. State-of-the-art power management circuitry makes MAX-RGB88/AP the first choice signal distributor. With its high signal bandwidth of 900MHz identical high defined output can be achieved throughout.

FEATURES

- With the 8 Input arrangements, any of the 8 video/audio sources can now be the selectively amplified and distributed with high transparency even for high-resolution VGA modes like UXGA to any of the 8 display panels. It is ideal for presentation systems requiring 8 VGA sources with 8 different display units.
- Compatible with all monitors, projectors, HDTV and flat panel displays.



TYPICAL APPLICATIONS

The MAX-RGB88/AP is part of the ABtUS series of high quality, high bandwidth and cost effective Distribution Amplifiers and Switchers designed specially for professional installers. ABtUS products can be found in industrial, commercial, educational, military and government applications like:

- Schools • Training rooms • Broadcast and duplication studios • Workstation environments • Retail showrooms • CCTV and surveillance • Multipurpose Hall

TECHNICAL SPECIFICATION

INPUT:	8 x 5-BNC connector, 8x3.5mm block connector for balance/un-balance audio
OUTPUT:	8 x 5-BNC connector, 8x3.5mm block connector for balance/un-balance audio
COM PORT:	1 x 9 pin D-Sub Female connector
BANDWIDTH:	(-3dB) 900MHz
MAX RESOLUTION:	1600 x 1200
SIGNAL TYPE:	VGA, SVGA, XGA, UXGA, Multi sync
CABLE LENGTH (INPUT):	1 to 3 meter
CABLE LENGTH (OUTPUT):	1 to 50 meter (* Depending on cable rating)
HOUSING:	Metal
DIMENSION/WEIGHT:	[430 x 240 x 130]mm Weight: 1350g
ACCESSORIES:	AC-DC Power Adaptor 12V-DC, 500mA
POWER SOURCE:	100 to 230 VAC, 50/60Hz

* Specifications are subject to changes without notice.

ABtUS

AVA-HDMI14

1:4 HDMI DISTRIBUTION AMPLIFIER

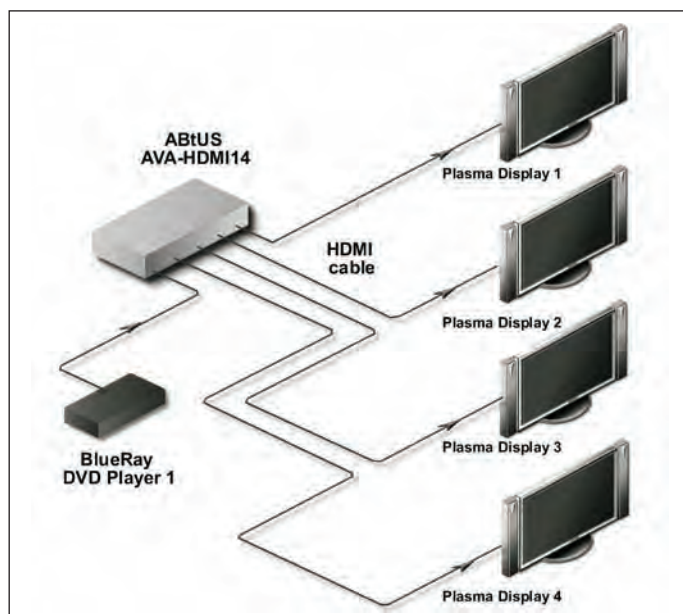


DESCRIPTION

The ABtUS AVA-HDMI14 is a high quality 1 Input 4 output distribution amplifier for HDMI signal. The AVA-HDMI14 distributes a HDMI source to maximum 4 HDMI digital display devices (Projectors, Plasma and LCD Monitors) with excellent identical reproduction. It supports a wide range of PC and HDTV resolutions from VGA to WUXGA and 480p to 1080p.

FEATURES

- Allows connection of a High Definition sources and distribute it to maximum 4 full HD displays.
- To supports resolutions up to 1080p.
- Easy Installation



TYPICAL APPLICATIONS

The ABtUS AVA-HDMI14 is part of the ABtUS series of high quality, high bandwidth and cost effective Distribution Amplifiers designed specially for professional installers. ABtUS products can be found in industrial, commercial retail and home applications like:

- Production Studios
- Rental and Staging
- Home Theatres
- Live Broadcast or Presentation Applications

TECHNICAL SPECIFICATION

INPUT:	1 x HDMI Female connector
OUTPUT:	4 x HDMI Female connector
HDMI VERSION:	1.2a
BANDWIDTH:	1.65 GHz
MAX RESOLUTION:	Full 1080p
CABLE LENGTH (INPUT):	Up to 15 meter [*Depending on cable rating]
CABLE LENGTH (OUTPUT):	Up to 15 meter [*Depending on cable rating]
HOUSING:	ABS
DIMENSION/WEIGHT:	(210 x 120 x 32)mm Weight: 250g
ACCESSORIES:	Power cord
POWER SOURCE:	12V-DC, 500mA

* Specifications are subject to changes without notice.

AVA-HDMI18

1:8 HDMI DISTRIBUTION AMPLIFIER

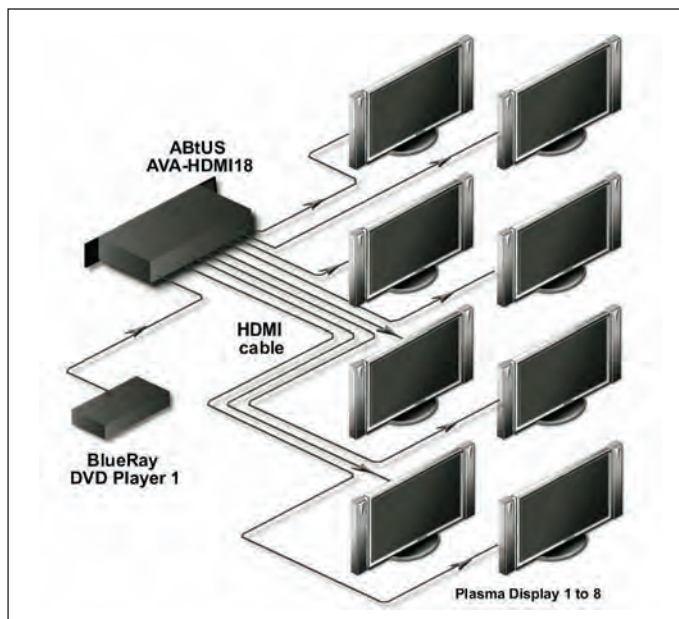


DESCRIPTION

The ABTUS AVA-HDMI18 is a high quality 1 Input 8 output distribution amplifier for HDMI signal. The AVA HDMI 18 distributes a HDMI source to maximum 8 HDMI digital display devices (Projectors, Plasma and LCD Monitors) with excellent identical reproduction. It supports a wide range of PC and HDTV resolutions from VGA to WUXGA and 480p to 1080p.

FEATURES

- Allows connection of 1 High Definition sources to 8 HD displays.
- Supports resolutions up to 1080p.
- Easy Installation
- Inputs Gain Control : 0dB, 6dB or 12dB
- Outputs Gain Control : 0dB, 6dB or 12dB



TYPICAL APPLICATIONS

The ABTUS AVA-HDMI18 is part of the ABTUS series of high quality, high bandwidth and cost effective Distribution Amplifiers designed specially for professional installers. ABTUS products can be found in industrial, commercial retail and home applications like:

- Production Studios
- Rental and Staging
- Home Theatres
- Live Broadcast or Presentation Applications

TECHNICAL SPECIFICATION

INPUT:	1 x HDMI Female connector
OUTPUT:	8 x HDMI Female connector
HDMI VERSION:	1.2a
BANDWIDTH:	1.65 GHz
MAX RESOLUTION:	Full 1080p
COM PORT:	1 x 9 pin D-Sub Female connector
CABLE LENGTH (INPUT):	Up to 15 meter [*Depending on cable rating]
CABLE LENGTH (OUTPUT):	Up to 15 meter [*Depending on cable rating]
HOUSING:	Metal
DIMENSION/WEIGHT:	(430 x 240 x 44)mm Weight:1350g
ACCESSORIES:	Power cord
POWER SOURCE:	100 to 230 VAC, 50/60Hz

* Specifications are subject to changes without notice.

AVS-HDMI21

2:1 HDMI SWITCHER

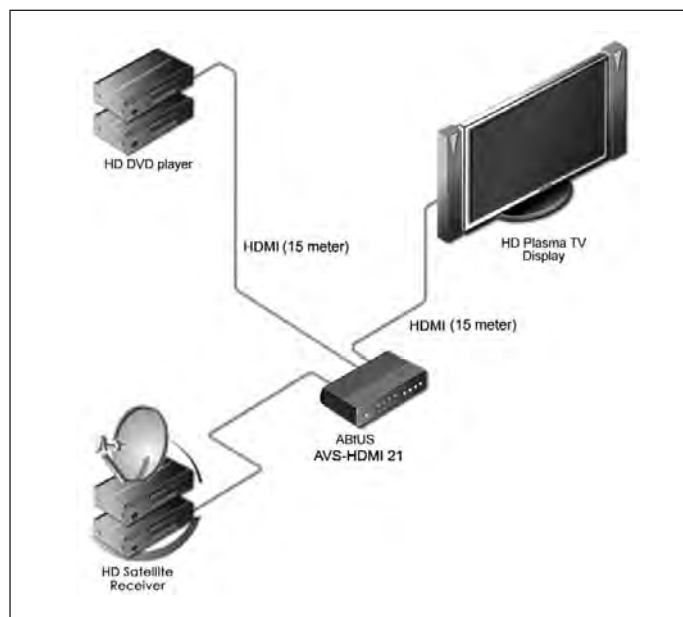


DESCRIPTION

The ABTUS AVS-HDMI21 is a high quality 2 Input 1 output switcher for HDMI signal. With ABTUS AVS-HDMI21, you can connect up to 2 HDMI input devices (e.g. DVD Player, Satellites Receivers) to a single HDMI Output.

FEATURES

- Inputs Select 2
- Gain Control 0dB, 2dB, 4dB or 6dB
- Easy Installation



TYPICAL APPLICATIONS

The ABTUS AVS-HDMI21 is part of the ABTUS series of high quality, high bandwidth and cost effective Distribution Amplifiers designed specially for professional installers. ABTUS products can be found in industrial, commercial retail and home applications like:

- Production Studios
- Rental and Staging
- Home Theatres
- Live Broadcast or Presentation Applications

TECHNICAL SPECIFICATION

INPUT:	2 x HDMI Female connector
OUTPUT:	1 x HDMI Female connector
HDMI VERSION:	1.3
BANDWIDTH:	1.65 GHz
MAX RESOLUTION:	Full 1080p
IR COM PORT:	1 x 3.5mm connector
CABLE LENGTH (INPUT):	Up to 15 meter [* Depending on cable rating]
CABLE LENGTH (OUTPUT):	Up to 15 meter [* Depending on cable rating]
HOUSING:	ABS
DIMENSION/WEIGHT:	(210 x 120 x 32)mm Weight: 250g
ACCESSORIES:	AC-DC Power Adaptor 12V-DC, 500mA and Remote controller
POWER SOURCE:	12V-DC, 500mA

* Specifications are subject to changes without notice.

AVS-HDMI41

4:1 HDMI SWITCHER

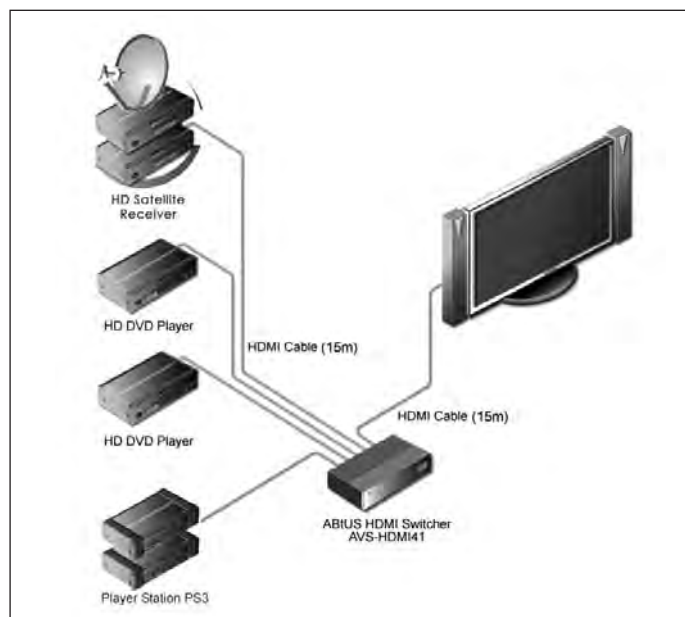


DESCRIPTION

The ABtUS AVS-HDMI41 is a high quality 4 Input 1 output switcher for HDMI signal. With ABtUS AVS-HDMI21, you can connect up to 4 HDMI input devices (e.g. DVD Player, Satellites Receivers) to a single HDMI Output.

FEATURES

- Inputs Select 4
- Gain Control 0dB, 2dB, 4dB or 6dB
- Easy Installation



TYPICAL APPLICATIONS

The ABtUS AVS-HDMI41 is part of the ABtUS series of high quality, high bandwidth and cost effective Distribution Amplifiers designed specially for professional installers. ABtUS products can be found in industrial, commercial retail and home applications like:

- Production Studios
- Rental and Staging
- Home Theatres
- Live Broadcast or Presentation Applications

TECHNICAL SPECIFICATION

INPUT:	4 x HDMI Female connector
OUTPUT:	1 x HDMI Female connector
HDMI VERSION:	1.3
BANDWIDTH:	1.65 GHz
MAX RESOLUTION:	Full 1080p
IR COM PORT:	1 x 3.5mm connector
CABLE LENGTH (INPUT):	Up to 15 meter [* Depending on cable rating]
CABLE LENGTH (OUTPUT):	Up to 15 meter [* Depending on cable rating]
HOUSING:	ABS
DIMENSION/WEIGHT:	(210 x 120 x 32)mm Weight: 250g
ACCESSORIES:	AC-DC Power Adaptor 12V-DC, 500mA and Remote controller
POWER SOURCE:	12V-DC, 500mA

* Specifications are subject to changes without notice.

AVS-HDMI81

8:1 HDMI SWITCHER

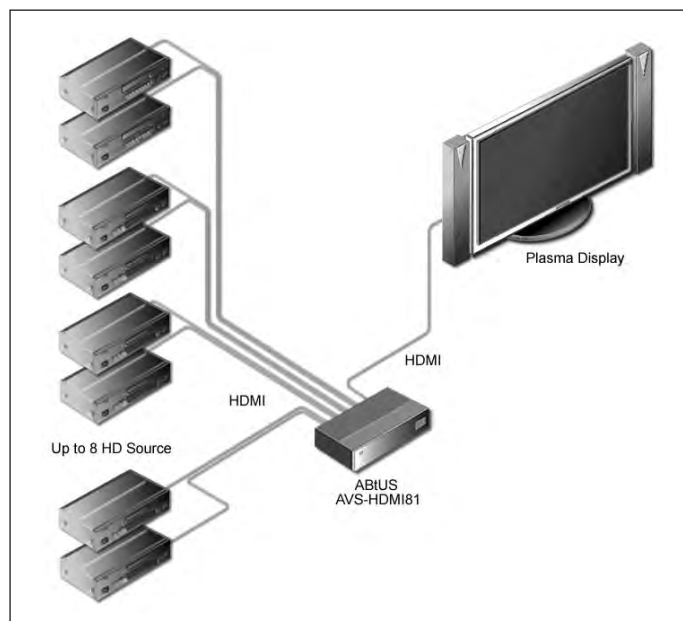


DESCRIPTION

The ABtUS AVS-HDMI81 is a high quality 8 Input 1 output switcher for HDMI signal. With ABtUS AVS-HDMI81, you can connect up to 8 HDMI input devices (e.g. DVD Player, Satellites Receivers) to a single HDMI Output.

FEATURES

- Inputs Select : 8
- Easy Installation
- Inputs Gain Control : 0dB, 6dB or 12dB
- Outputs Gain Control : 0dB, 6dB or 12dB



TYPICAL APPLICATIONS

The ABtUS AVS-HDMI81 is part of the ABtUS series of high quality, high bandwidth and cost effective Distribution Amplifiers designed specially for professional installers. ABtUS products can be found in industrial, commercial retail and home applications like:

- Production Studios
- Rental and Staging
- Home Theatres
- Live Broadcast or Presentation Applications

TECHNICAL SPECIFICATION

INPUT:	8 x HDMI Female connector
OUTPUT:	1 x HDMI Female connector
HDMI VERSION:	1.3
BANDWIDTH:	1.65 GHz
MAX RESOLUTION:	Full 1080p
COM PORT:	1 x 9 pin D-Sub Female connector
CABLE LENGTH (INPUT):	Up to 15 meter [*Depending on cable rating]
CABLE LENGTH (OUTPUT):	Up to 15 meter [*Depending on cable rating]
HOUSING:	Metal
DIMENSION/WEIGHT:	(430 x 240 x 44)mm Weight:1350g
ACCESSORIES:	Power cord and Remote controller
POWER SOURCE:	100 to 230 VAC, 50/60Hz

* Specifications are subject to changes without notice.

AVA-DV12

1:2 DVI-D DISTRIBUTION AMPLIFIER

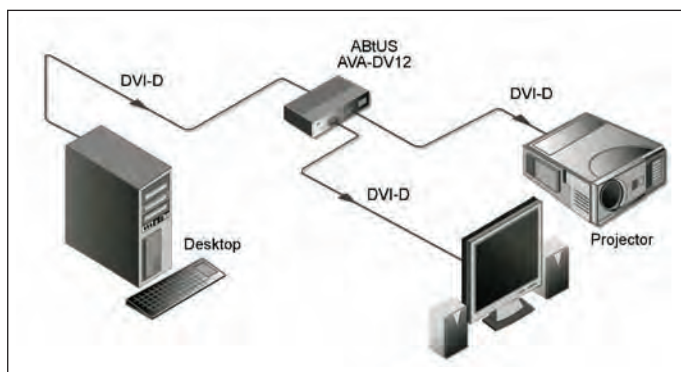


DESCRIPTION

The ABtUS AVA-DVI-D12 is a high quality 1 Input, 2 output distribution amplifier for DVI digital video signals. From a computer's DVI source, AVA-DV12 distributes up to 2 DVI Digital Display devices (Projectors, Plasmas and LCD monitors) with excellent identical reproduction.

FEATURES

- Allows splitting of a High Definition digital video to 2 HD displays.
- Supports resolutions up to 1920x1200 or 1080p
- Easy Installation



TYPICAL APPLICATIONS

The AVA-DVI-D 12 is part of the ABtUS series of high quality, high bandwidth and cost effective Distribution Amplifiers designed specially for professional installers. ABtUS products can be found in industrial, commercial retail and home applications like:

- Schools/Classrooms • Training rooms • Workstation environments • Multipurpose Hall

TECHNICAL SPECIFICATION

INPUT:	1 x DVI-D Female connector
OUTPUT:	2 x DVI-D Female connector
DVA I/O:	DVI-D
BANDWIDTH:	1.65 GHz
MAX RESOLUTION:	1920x1200 or Full 1080p
CABLE LENGTH (INPUT):	1 to 3 meter
CABLE LENGTH (OUTPUT):	Up to 15 meter [* Depending on cable rating]
HOUSING:	Aluminum
DIMENSION/WEIGHT:	[145 x 112 x 26mm Weight: 300g
ACCESSORIES:	AC-DC Power Adaptor 12V-DC, 500mA
POWER SOURCE:	12V-DC, 500mA

* Specifications are subject to changes without notice.

AVA-DV19

1:9 DVI-D DISTRIBUTION AMPLIFIER

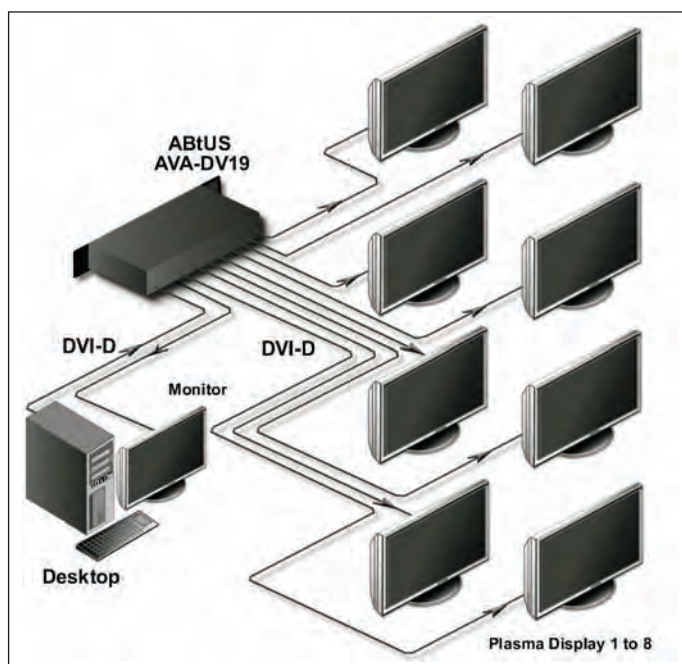


DESCRIPTION

The ABtUS AVA-DV19 is a high quality 1 Input, 9 output distribution amplifiers for DVI digital video signals. From a computer's DVI source, AVA-DV19 distributes up to 9 DVI Digital Display devices (Projectors, Plasmas and LCD monitors) with excellent identical reproduction.

FEATURES

- With the special built in front panel LED indicators for cable and signals detection, installation and troubleshooting has never been easier. Capable of handling VGA-UXGA resolutions, it can support a cable run of up to 20m from any DVI-D source.



TYPICAL APPLICATIONS

The AVA-DVI-D 19 is part of the ABtUS series of high quality, high bandwidth and cost effective Distribution Amplifiers designed specially for professional installers. ABtUS products can be found in industrial, commercial retail and home applications like:

- Schools • Training rooms • Broadcast and duplication studios • Workstation environments • Retail showrooms • CCTV and surveillance • Multipurpose Hall

TECHNICAL SPECIFICATION

INPUT:	1 x DVI-D Female connector
OUTPUT:	9 x DVI-D Female connector
DVA I/O:	DVI-D
BANDWIDTH (-3dB):	25MHz ~ 165MHz
MAX RESOLUTION:	1920x1200 or Full 1080p
CABLE LENGTH (INPUT):	1 to 3 meter
CABLE LENGTH (OUTPUT):	Up to 20 meter [*Depending on cable rating]
HOUSING:	Metal
DIMENSION/WEIGHT:	(430 x 240 x 44)mm Weight:1350g
ACCESSORIES:	AC-DC Power Adaptor 12V-DC, 1.5A
POWER SOURCE:	12V-DC, 1.5A

* Specifications are subject to changes without notice.

AVS-SCL402/A

4:1X1 MULTIMEDIA PRESENTATION SCALER SWITCHER



DESCRIPTION

The ABTUS AVS-SCL402/A is a Pro-AV Scaler switcher that takes up to 4 different Video Input formats. It scales any Composite, S-Video (Y/C), Component Video (YUV) or computer graphics video signal up or down to a selectable graphics output resolution.

FEATURES

- 3D Motion adaptive de-interlacing/interlacing
- 3D Noise reduction [NTSC/PAL]
- 3D Comb filter [NTSC/PAL]
- Film-mode detection 2:2/3:2 pull down
- Support RS232 control interface
- Image capturing memory switching technology
- Windows AP supported
- OSD full function control

TECHNICAL SPECIFICATION

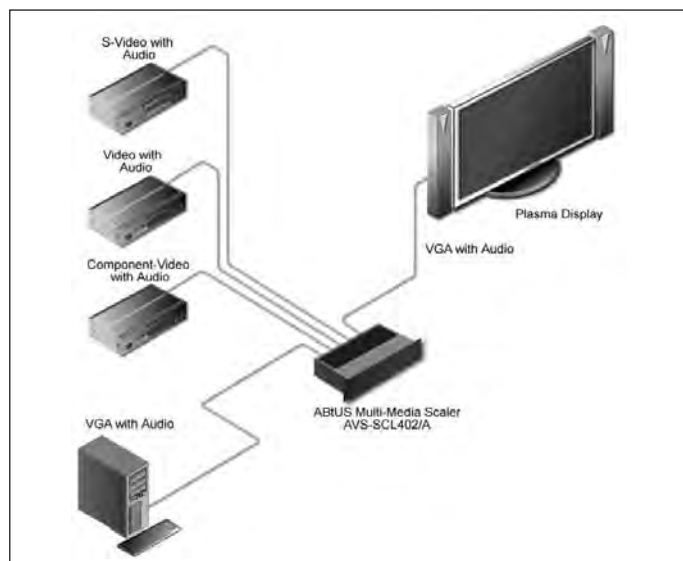
INPUTS:	Composite Video Audio AL/AR RCA x 3 S-Video 4Pin-Mini Din x 1 Audio AL/AR RCA x 2 Component Video RCA x 3 Audio AL/AR RCA x 2 RGBHV/VGA 15-Pin & Stereo Audio 3.5mm mini jack ** VAG is of pass through, hence No Scaling RS232 9-Pin Female D Connector x 1
OUTPUTS:	D-Sub 15 pin & 3.5mm Mini Audio jack x 1
COM PORT:	1 x 9 pin D-Sub Female connector
SELECTABLE OUTPUT RESOLUTION:	640 x 480, 800 x 600, 1024 x 768, 1280 x 1024, 1600 x 1200-OSD, 1400 x 900-OSD, 1680 x 1050-OSD
VGA OUTPUT TIMING:	60HZ
MAX RESOLUTION:	1680x1050@60Hz
CABLE LENGTH (INPUT):	1 to 3 meter
CABLE LENGTH (OUTPUT):	Up to 20 meter [* Depending on the cable rating]
MAIN VOLUME :	32 steps digital volume control
HOUSING:	Metal
DIMENSION/WEIGHT:	(200 x 115 x 45)mm Weight: 800g
ACCESSORIES:	AC-DC Power Adaptor 12V-DC, 3A

TYPICAL APPLICATIONS

Any professional presentation system requiring multiple AV Inputs of all different types of video standard to a standard video D-SUB 15 pin with RCA or 3.5mm audio output interface.

- Schools (Media Classrooms)
- Churches
- Corporate Applications (Meeting Rooms)

* Specifications are subject to changes without notice.



AVS-SCL802/A

8:1X2 MULTIMEDIA PRESENTATION SCALER SWITCHER



DESCRIPTION

The ABTUS AVS-SCL802/A is a Pro-AV Scaler switcher that takes up to 8 different Video Input formats. It scales any Composite, S-Video (Y/C), Component Video (YUV) or computer graphics video signal up or down to a selectable graphics output resolution.

FEATURES

- 3D Motion adaptive de-interlacing/interlacing
- 3D Noise reduction (NTSC/PAL)
- 3D Comb filter (NTSC/PAL)
- Film-mode detection 2:2/3:2 pull down
- Support Remote control
- Support RS232 control interface
- Image capturing memory switching technology
- Windows AP supported
- OSD full function control

TECHNICAL SPECIFICATION

INPUTS:

- AV1 RCA jack (Video-In) x 1 & RCA jack x 2 (Audio in L/R)
- AV2 RCA jack (Video-In) x 1 & RCA jack x 2 (Audio in L/R)
- AV3 S-Video jack x 1 & RCA jack x 2 (Audio in L/R)
- AV4 S-Video jack x 1 & RCA jack x 2 (Audio in L/R)
- AV5 Component (Y, Cb, Cr) x 1 set & 2 (Audio in L/R)
- AV6 Component (Y, Cb, Cr) x 1 set & 2 (Audio in L/R)
- AV7 [D-SUB] D-Sub 15 pin & RCA jack x 2 (Audio in L/R), PC Audio 3.5mm x 1
- AV8 [D-SUB] D-Sub 15 pin & RCA jack x 2 (Audio in L/R), PC Audio 3.5mm x 1

OUTPUTS:

- D-Sub 1: D-Sub 15 pin & RCA jack x 2 (Audio out L/R), 3.5mm Mini Audio jack x 1
- D-Sub 2: D-Sub 15 pin & RCA jack x 2 (Audio out L/R), 3.5mm Mini Audio jack x 1

COM PORT: 1 x 9 pin D-Sub Female connector

RESOLUTION SUPPORT: 640*480/800*600/1024*768/1280*1024

MAX RESOLUTION: 1280 x 1024 @ 75HZ

VGA OUTPUT TIMING: 60/75HZ

CABLE LENGTH (INPUT): 1 to 3 meter

CABLE LENGTH (OUTPUT): Up to 15 meter
[* Depending on cable rating]

MAIN VOLUME : Volume : 32 step digital volume control

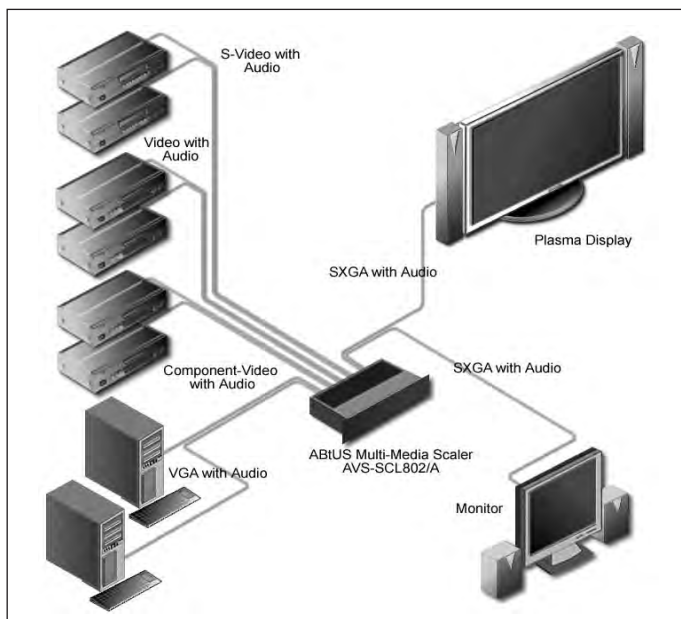
HOUSING: Metal

DIMENSION/WEIGHT: (430 x 240 x 44)mm | Weight:1350g

ACCESSORIES: Power cord and Remote controller

POWER SOURCE: 100 to 230 VAC, 50/60Hz

* Specifications are subject to changes without notice.



TYPICAL APPLICATIONS

Any professional presentation system requiring multiple AV Inputs of all different types of video standard to a standard video D-SUB 15 pin with RCA or 3.5mm audio output interface.

- Schools (Media Classrooms)
- Churches
- Corporate Applications (Meeting Rooms)

AVS-SCLHD1002T/AP1

10:1X2 HIGH END MULTIMEDIA PRESENTATION SCALER SWITCHER

[*WITH CAT-5 EXTENDER BUILD IN]

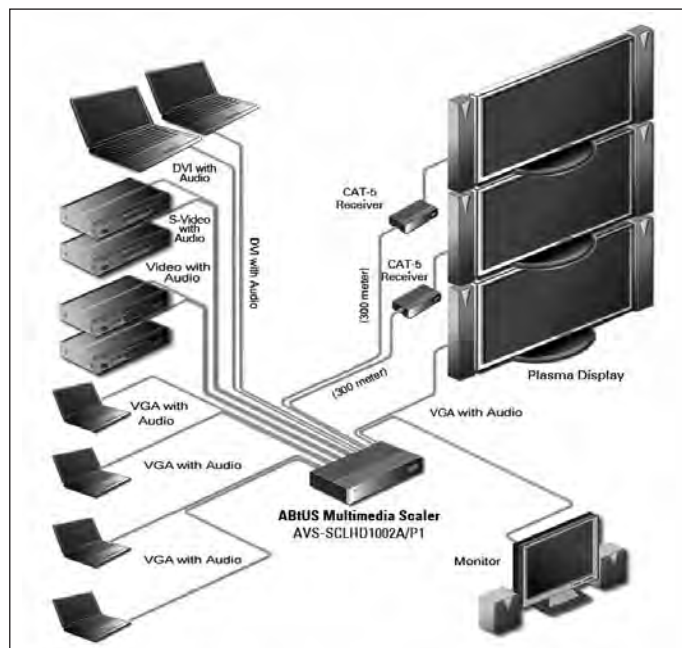


DESCRIPTION

The ABtUS AVS-SCLHD1002T/AP1 is a HD Scaler switcher that takes up to 10 different Video Input formats. It scales any Composite, S-Video (Y/C), Component Video (YUV) or computer graphics video signal up or down to a selectable graphics output resolution.

FEATURES

- PiP: Picture in Picture
- PAP: Picture and Picture
[commonly referred as PBP-Picture by Picture]
- Integrated with Cat-5 Extender
- Direct Front Panel Input Select
- OSD Full Function Control [On Screen Display Control]
- Max. Resolution: 1600 x 1200



TYPICAL APPLICATIONS

Any professional presentation system requiring multiple AV Inputs of all different types of video standard to a standard video D-SUB 15 pin with RCA or 3.5mm audio output interface.

- Schools (Media Classrooms)
- Churches
- Corporate Applications (Meeting Rooms)

TECHNICAL SPECIFICATION

INPUTS	2 x Composite video
SIGNAL TYPE:	2 x female RCA 2 x S-video 2 x female 4-Pin mini DIN 4 x RGBHV or RGBs or YUV 4 x 15-pin D-Sub Connector (Female) 2 x DVI-D digital video or HDMI 1.3 2 x DVI female DVH
INPUTS	1VP-P for yof Component Video and S-Video,
NOMINAL LEVEL:	and for Composite Video 0.7VP-P for RGB 0.3VP-P for R-Y and B-Y Component Video and for C of S-Video
OUTPUTS	Scaled RGBHV, RGBS, RGSB, Y, R-Y,
SIGNAL TYPE:	B-Y 2 female 15-pin HD
OUTPUTS	800*600, 1024*768, 1024*1024, 1280*960,
RESOLUTION:	1280*1024, 1366*768, 1366*1024, 1600*1200, 480P, 720P, 1080I, 1080P 60HZ
AUDIO INPUT	8 stereo, 4 pairs of RCA JACK and
SIGNAL TYPE:	6 set of (3.5mm) JACK.
AUDIO OUTPUT	
CONNECTOR:	2 set (3.5mm)
RACK MOUNT:	Yes
VGA STEREO AUDIO	
OVER CAT-5 EXTENDER:	RJ45 Connector x 2
CABLE LENGTH (OUTPUT) :	Up to 300 meter [*Depending on the cable rating]
MAIN VOLUME :	32 steps digital volume control
HOUSING:	Metal
DIMENSION/WEIGHT:	(200 x 115 x 45)mm Weight: 800g
ACCESSORIES:	AC-DC Power Adaptor 12V-DC, 3A
POWER SOURCE:	100VAC-240VAC, 50/60Hz

* Specifications are subject to changes without notice.

AVA-CP24/AP

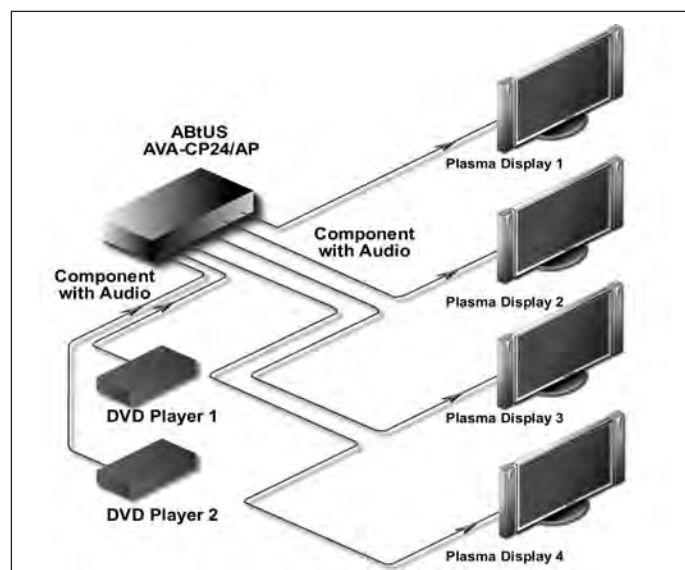
2:1X4 COMPONENT VIDEO/STEREO AUDIO DISTRIBUTION AMPLIFIER SWITCHER
WITH EXTERNAL CONTROL



DESCRIPTION

The 2:1x4 Component Video + Analog stereo audio Switcher Distribution Amplifier with external control port is designed to work as a switcher for multiple Audio/Video sources and displays. It is capable of switching Component Video and Stereo Audio signals between two sources and splitting them to four displays with compatible inputs.

A maximum bandwidth of 300MHz supports a sharp and highly defined video in multiple resolutions of up to 1080p. It is a two-input switcher that allows any input to be routed to all the four output at one go. It completely eliminates the need to constantly move around video Input and output cables. External control allows the switcher to be controlled by any I/O central controller system. The 2:1x4 Switcher Distribution Amplifier works with all Video equipment that has proper connections: such as Cable and Satellite receivers, Video Scalers, DVD players, VCRs and so on.



TYPICAL APPLICATIONS

The ABtUS AVA-CP Series is part of the ABtUS series of high quality, high bandwidth and cost effective Distribution Amplifiers and Switchers designed specially for professional installers. ABtUS products can be found in industrial, commercial, educational, military and government applications like: Schools; Training rooms; Broadcast and duplication studios; Workstation environment; Retail showrooms; CCTV and surveillance and Multipurpose Hall etc.

FEATURES

- Allows connection of 2 High Definition sources and 4 HD displays.
- Supports resolutions up to 1080p.
- Easy Installation

TECHNICAL SPECIFICATION

INPUT:	2 x 5RCA [Y/Pb/Pr and AL/AR]
OUTPUT:	4 x 5RCA [Y/Pb/Pr and AL/AR]
BANDWIDTH (-3dB):	300MHz
MAX RESOLUTION:	Up to 1080p
CABLE LENGTH (INPUT):	1 to 3 meter
CABLE LENGTH (OUTPUT):	Up to 25 meter [* Depending on cable rating]
VIDEO SYSTEM:	NTSC/PAL/PAL-M/SECAM [Auto-Detect]
EXTERNAL CONTROL PORT:	1
HOUSING:	Metal
DIMENSION/WEIGHT:	[310 x 114 x 44]mm Weight:1150g
ACCESSORIES:	AC-DC Power Adaptor 12V-DC, 500mA
POWER SOURCE:	12V-DC, 1.5A

* Specifications are subject to changes without notice.

AVA-CP28/AP

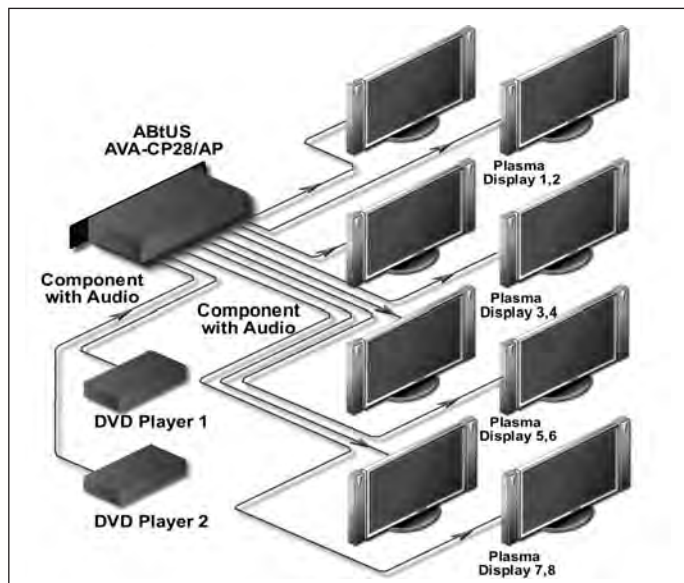
2:1X8 COMPONENT VIDEO/STEREO AUDIO DISTRIBUTION AMPLIFIER SWITCHER WITH EXTERNAL CONTROL



DESCRIPTION

The 2:1x8 Component Video + Analog stereo Audio Switcher Distribution Amplifier with external control port is designed to work as a switcher for multiple Audio/Video sources and displays. Capable of switching Component Video and Stereo Audio signals between two sources and splitting them to eight displays with compatible Inputs.

A maximum bandwidth of 300MHz will supports a sharp and highly defined video in multiple resolutions of up to 1080p. It is a two-input switcher that allows any Input to be routed to all the eight output at one go. It completely eliminates the need to constantly move around video input and output cables. External control allows the switcher to be controlled by any I/O central controller system. The 2:1x8 Switcher Distribution Amplifier works with all Video equipment that has proper connections: such as Cable and Satellite receivers, Video Scalers, DVD players, VCRs and so on.



TYPICAL APPLICATIONS

The ABtUS AVA-CP Series is part of the ABtUS series of high quality, high bandwidth and cost effective Distribution Amplifiers and Switchers designed specially for professional installers. ABtUS products can be found in industrial, commercial, educational, military and government applications like: Schools; Training rooms; Broadcast and duplication studios; Workstation environment; Retail showrooms; CCTV and surveillance and Multipurpose Hall etc.

FEATURES

- Allows connection of 2 High Definition sources and 8 HD displays.
- Supports resolutions up to 1080p.
- Easy Installation

TECHNICAL SPECIFICATION

INPUT:	2 x 5RCA [Y/Pb/Pr and AL/AR]
OUTPUT:	8 x 5RCA [Y/Pb/Pr and AL/AR]
BANDWIDTH (-3dB):	300MHz
MAX RESOLUTION:	Up to 1080p
CABLE LENGTH (INPUT):	1 to 3 meter
CABLE LENGTH (OUTPUT):	Up to 25 meter [* Depending on cable rating]
VIDEO SYSTEM:	NTSC/PAL/PAL-M/SECAM [Auto-Detect]
EXTERNAL CONTROL PORT:	1
HOUSING:	Metal
DIMENSION/WEIGHT:	[430 x 240 x 44]mm Weight:1350g
ACCESSORIES:	Power cord
POWER SOURCE:	100 to 230 VAC, 50/60Hz

* Specifications are subject to changes without notice.

ABtUS

IFP-501A

INTERFACE PANEL, 2 VGA, 1 PC AUDIO, 1 USB, 3RCA (COMPOSITE VIDEO AND AUDIO) WITH BUILT-IN AMPLIFIER AND CABLE KIT

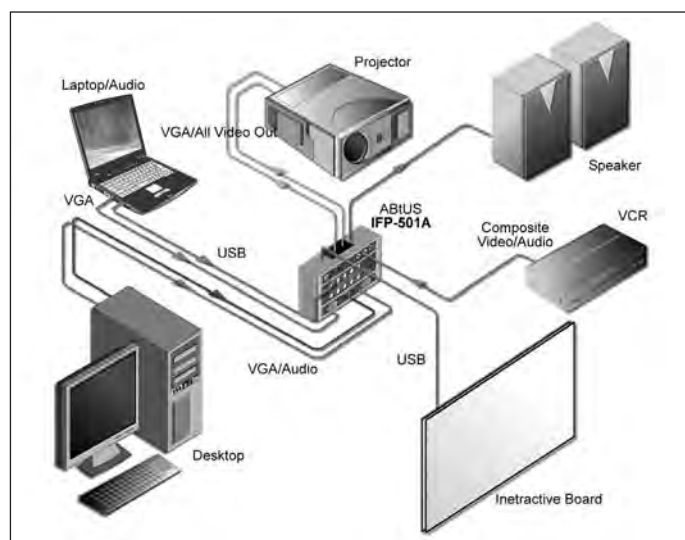


DESCRIPTION

The IFP-501A is an integrated interface panel with built-in Audio Amplifier of 30W per channel. It is ideal for a multimedia classroom integration with an interactive white board through its USB patch.

FEATURES

- Output Power at 30W per channel
- Easy Installation



TYPICAL APPLICATIONS

Any professional presentation system requiring multiple AV Inputs of all different types of Video standard and a standard projector controller.

- Schools (Media Classrooms) • Churches • Corporate Applications (Meeting Rooms)

TECHNICAL SPECIFICATION

INPUT:	1 x VGA 15pin with 3.5mm PC Audio 1 x VGA 15pin 3 x RCA AV/ Audio 1 x USB-B
OUTPUT:	2 x 2pin 3.8mm connector Speaker out 2 x 8pin 3.5mm screw type connector VGA out 1 x 2pin 3.5mm screw type connector Video out 1 x 4pin 3.5mm screw type connector USB out
MAX AUDIO OUTPUT POWER:	30W per channel
SPEAKER IMPEDANCE:	4 to 16 ohm
POWER SOURCE:	18V-DC, 3A
DIMENSIONS WEIGHT:	(149 x 88 x 31)mm Weight:350g
HOUSING:	ABS
ACCESSORY:	AC-DC Power Adaptor 18V-DC, 3A with AC cord 2 x Speaker cable [1.5meter] 1 x USB to open end cable [4meter] 1 x Composite Video to open cable [1.5meter] 2 x VGA to open end cable [1.5meter]

* Specifications are subject to changes without notice.

IFP-502A

INTERFACE PANEL, 2RCA [AUDIO], 1 PC AUDIO WITH BUILT-IN AMPLIFIER AND CABLE KIT

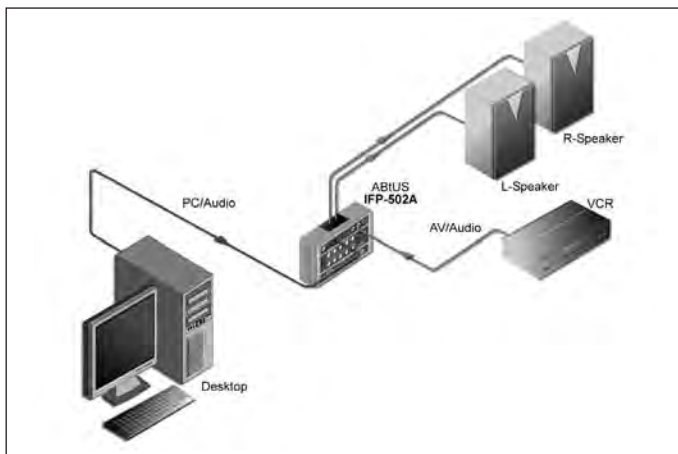


DESCRIPTION

The IFP-502A is an integrated interface panel with built-in Audio Amplifier of 30W per channel. It is ideal for a multimedia classroom integration for audio routing and amplification.

FEATURES

- Output Power at 30W per channel
- Easy Installation



TECHNICAL SPECIFICATION

INPUT:	1 x 3.5mm PC Audio 2 x RCA AV/Audio 1 x 3.8mm connector (DC Power)
OUTPUT:	2 x 3.8mm connector Speaker out
MAX AUDIO OUTPUT POWER:	30W per channel
SPEAKER IMPEDANCE:	4 to 16 ohm
POWER SOURCE:	18V-DC, 3A
DIMENSIONS WEIGHT:	{149 x 88 x 31}mm Weight:350g
HOUSING:	ABS
ACCESSORY:	AC-DC Power Adaptor 18V-DC, 3A

TYPICAL APPLICATIONS

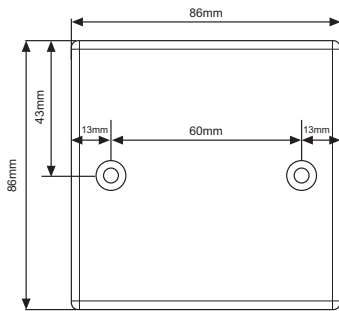
Any professional presentation system requiring multiple AV Inputs of all different types of Video standard and a standard projector controller.

- Schools (Media Classroom) • Churches • Corporate Applications (Meeting Room)

* Specifications are subject to changes without notice.

ABTUS

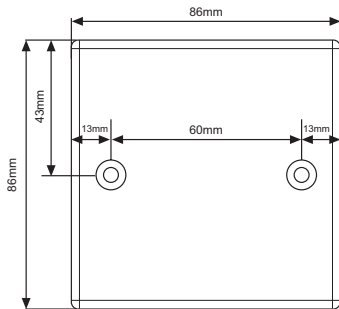
MULTIMEDIA SINGLE GANG INTERFACE PANEL IFP-701A



DESCRIPTION

Metal Material Interface Panel with 3RCA (composite video and audio), 1 VGA, 1 PC Audio, 1 USB, A Type w/o back box

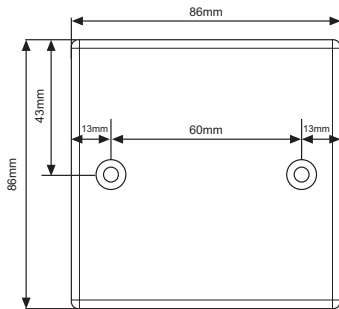
IFP-702A



DESCRIPTION

Metal Material Interface Panel with 3RCA (composite video and audio), 1 VGA, 1 PC Audio w/o back box

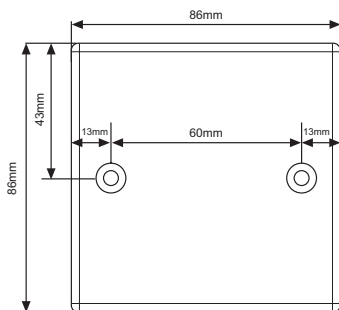
IFP-702C



DESCRIPTION

Metal Material Interface Panel with 1 VGA, 1 PC Audio, w/o back box

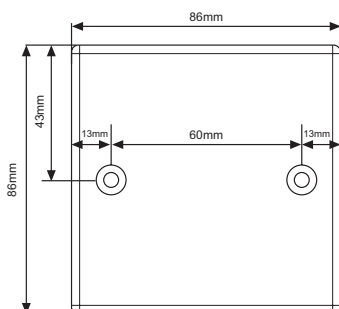
IFP-702D



DESCRIPTION

Metal Material Interface Panel with 1 PC Audio, w/o back box

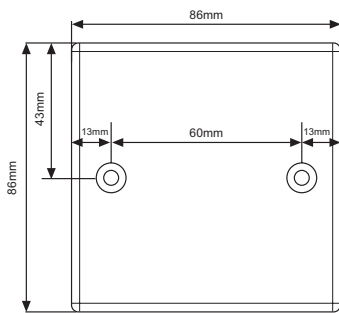
IFP-703A



DESCRIPTION

Metal Material Interface Panel with 2 VGA with PC Audio w/o back box

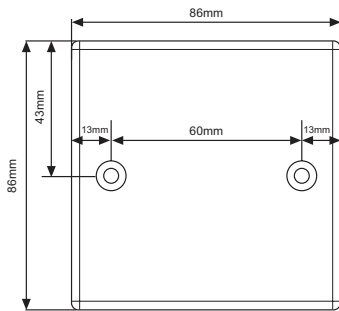
MULTIMEDIA SINGLE GANG INTERFACE PANEL
IFP-703B



DESCRIPTION

Metal Material Interface Panel with 1 VGA with PC Audio and 1 XLR Mic w/o back box

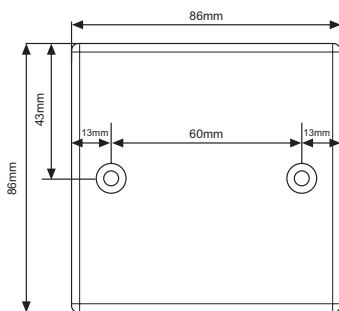
IFP-703C



DESCRIPTION

Metal Material Interface Panel with 1 XLR Mic w/o back box

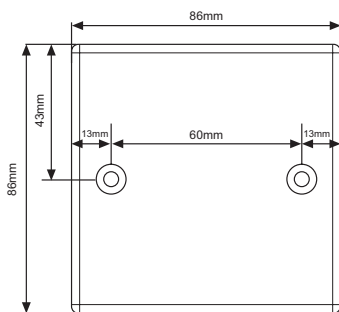
IFP-703C2



DESCRIPTION

Metal Material Interface Panel with 2 XLR Mic w/o back box

IFP-704/A

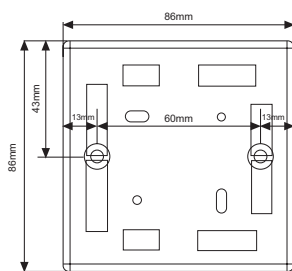


DESCRIPTION

Metal Material Interface Panel with 3RCA (component video) and HDMI w/o back box

BC-101G/SM

BC-101G/FM



Surface



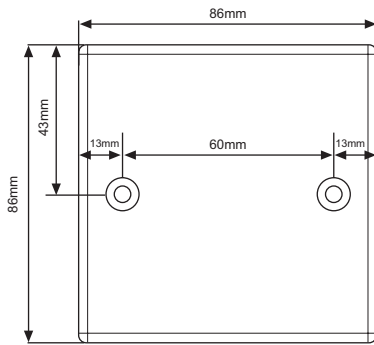
Flush

DESCRIPTION

Single Gang Back Casing

MULTIMEDIA SINGLE GANG INTERFACE PANEL (SOLDER TYPE)

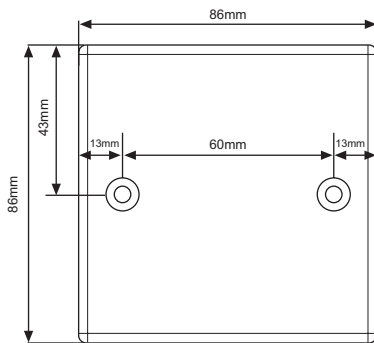
IFP-901B (Beige)



DESCRIPTION

Aluminum Material Interface Panel with 3RCA (composite video and audio), 1 VGA, 1 PC Audio w/o back box

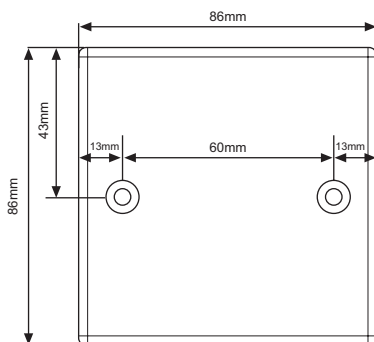
IFP-901B (Black)



DESCRIPTION

Aluminum Material Interface Panel with 3RCA (composite video and audio), 1 VGA, 1 PC Audio w/o back box

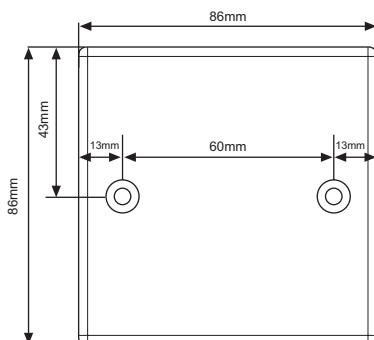
IFP-901S (Silver)



DESCRIPTION

Aluminum Material Interface Panel with 3RCA (composite video and audio), 1 VGA, 1 PC Audio w/o back box

IFP-901G (Gold)

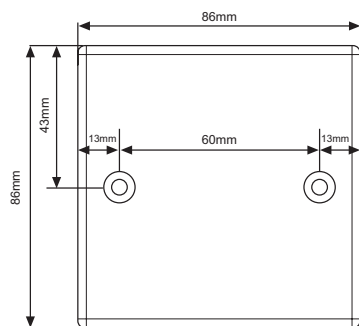


DESCRIPTION

Aluminum Material Interface Panel with 3RCA (composite video and audio), 1 VGA, 1 PC Audio w/o back box

MULTIMEDIA SINGLE GANG INTERFACE PANEL (SOLDER TYPE)

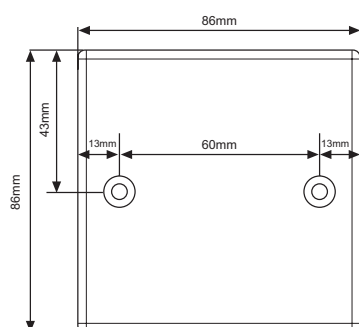
IFP-902C



DESCRIPTION

Metal Material Interface Panel with
1 VGA, 1 PC Audio w/o back box

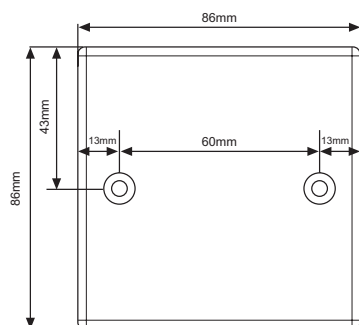
IFP-902D



DESCRIPTION

Metal Material Interface Panel with
1 VGA, 1 C-Video w/o back box

IFP-903A



DESCRIPTION

Metal Material Interface Panel with
2 VGA, 2 PC Audio w/o back box

MOTORIZED PANEL WITH TOUCH SCREEN CONTROL SYSTEM

IFP-604M



DESCRIPTION

Interface Panel with
1 VGA, 2 PC Audio, 1 Mic 6.3mm,
1 LAN, 1 Power Source
(*with Touch Panel Control)



ABTUS

TOUCH SCREEN CONTROL SYSTEM



Model: **A934-012C-044**

Automatic Backlight Face Out

Macro Definitions Setting can be Assigned for Every Single Button with up to 16 Different Orders

Default 3x4 Matrix of 12 Touch Buttons

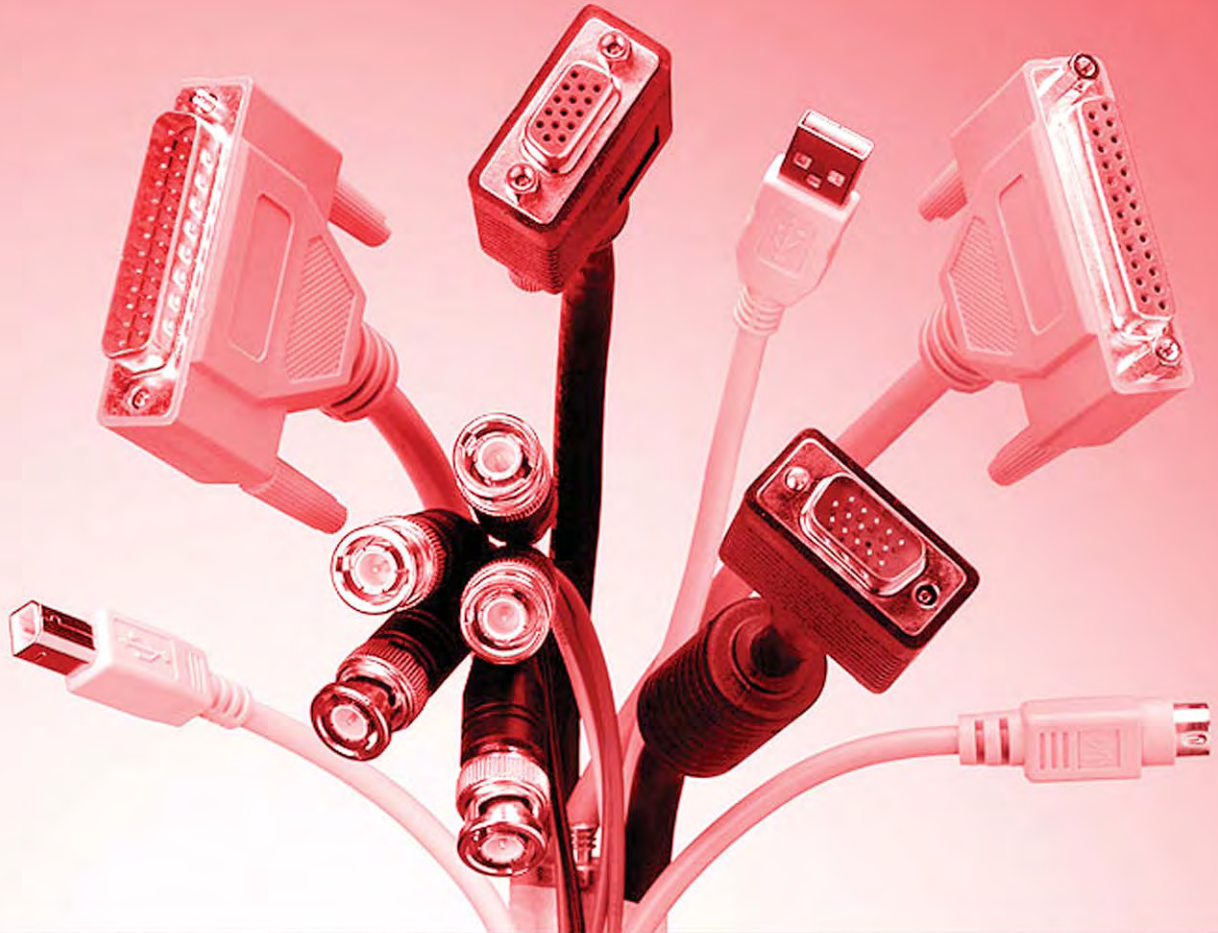
RS-232 or RS-485 Selectable Communication Standard

Ultra Low Power Consumption

ABTUS[®]

www.abtussingapore.com

Our real specialty is providing you with the best information available on all aspects of high-performance audio: cables, power line products, acoustic and resonance-control devices, vacuum tubes, accessories, and much more. With the help of our friendly, experienced sales staff and our vast cable matching database, we'll turn your good sounding system into a great one!



CONTROL SYSTEM | HDMI & DVI-D | VGA DISTRIBUTION AMPLIFIER & SWITCHER | CAT-5 | MOUNTING

ABtUS SINGAPORE PTE LTD

Blk 2023 #02-100 Bukit Batok
Industrial Park A Street 23, Singapore 659528
Tel: (65) 6-665 5402 Fax: (65) 6-569 6241

E-mail: info@abtussingapore.com

ABtUS MALAYSIA SDN BHD

17, Jalan Industri PBP9, Pusat Industri
Pusat Bandar Puchong, 47100
Selangor Darul Ehsan, Malaysia
Tel: 603-5882 2908 Fax: 603-5882 4768

E-mail: info@abtussingapore.com

ABtUS[®]

www.abtussingapore.com