

# Universal Projector Ceiling Mount with Adjustable Drop

For more information please visit [www.btechavmounts.com/BT882](http://www.btechavmounts.com/BT882)

**BT882**

Registered Design Number: 3016251



## BT882 Universal Projector Ceiling Mount with Adjustable Drop

**Designed for LCD/LED/DLP Projectors  
up to 10kg (22lbs)**

- Hand lever for easy adjustment of ceiling drop:  
Min: 580mm (22.8") - Max: 830mm (32.7")
- Features +/-90° tilt, +/-90° roll and 360° swivel
- Suitable for angled / cathedral ceilings
- Integrated cable management
- Unique 'Carousel' mounting plate for universal compatibility
- Coverplates included for smart installation
- Steel safety wire for extra security
- Maximum distance between any two fixing points on projector: 340mm (13.4")
- Suitable for projectors with M2.5, M3, M4, M5 and M6 fixings
- Simple installation with all mounting hardware and fixings included
- Available in Black and Silver



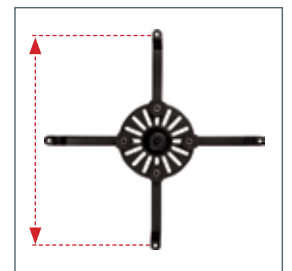
'Carousel' mounting plate for universal compatibility



Hand lever for easy adjustment of ceiling drop



Ball joint adjustment for easy positioning of projector



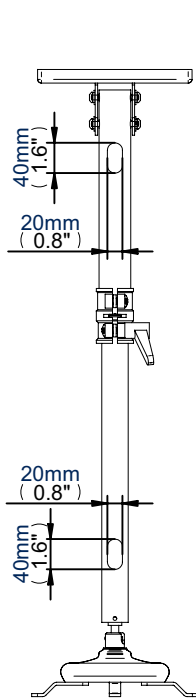
Maximum distance between any two fixing points: 340mm (13.4")

### Universal Projector Ceiling Mount with Adjustable Drop

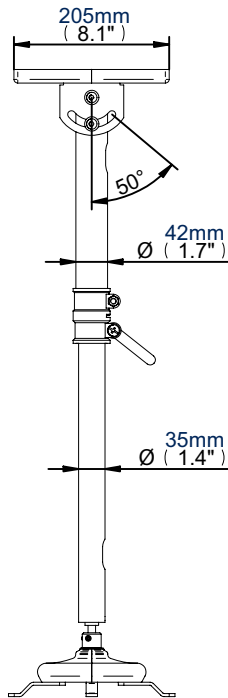
For more information please visit [www.btechavmounts.com/BT882](http://www.btechavmounts.com/BT882)

**BT882**

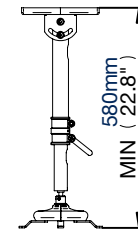
Registered Design Number: 3016251



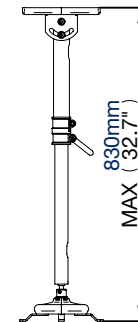
**Front View**



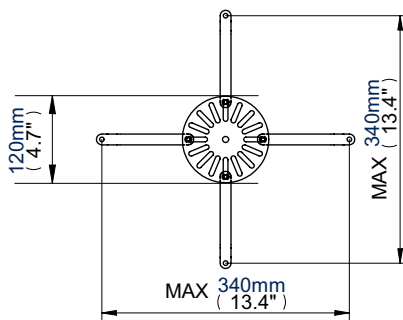
**Side View**



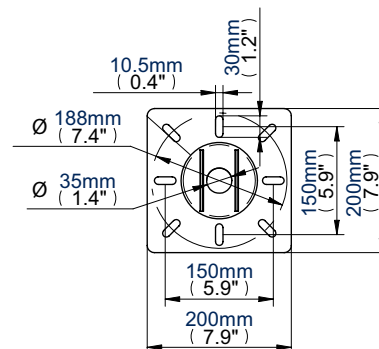
**Side View - Minimum Extension**



**Side View - Maximum Extension**



**Interface**



**Ceiling Plate**

Colour:	Order Ref:	EAN Code:	Master Carton Qty:	Inner Carton Qty:	Master Carton Weight:	Master Carton Cube:
Black	BT882/B	5019318088889	2	N/A	9.4kg (20.68lbs)	0.03cbm (1.07cuft)
Silver	BT882/S	5019318088827	2	N/A	9.4kg (20.68lbs)	0.03cbm (1.07cuft)

**This information is intended as a guide only and reflects the current specification at the time of print. B-Tech accepts no liability for the accuracy of the information contained in this document.**