

Short Drop Projector Ceiling Mount

For more information please visit www.btechavmounts.com/BT5890-010

BT5890-010

SYSTEM V™



BT5890-010 Short Drop Projector Ceiling Mount

Designed for LCD/LED/DLP
projectors up to 10kg (22lbs)

- Integrated cable management
- Keyhole 'hook-on' feature for easy installation
- +/- 15° tilt adjustment, +/- 15° roll adjustment and 360° swivel
- Ceiling Drop: 190mm (7.5")
- Maximum distance between any 2 fixing points: 493mm
- Maximum fixing square: 300 x 300mm or 400 x 200mm
- Projector can be mounted directly to the carousel
- Suitable for projectors using M2.5, M3, M4, M5 and M6 fixings
- Supplied with safety bolt for a secure installation
- Ceiling fixings and all mounting hardware included
- Available in Black and White

• Also Available:

BT5890-075:
Medium Drop Projector Ceiling Mount
Ceiling drop: 895mm (35.2")

BT5890-150:
Long Drop Projector Ceiling Mount
Ceiling drop: 1645mm (64.8")

BT5820-CP:
Ceiling Mount Cover Plate
Hides ceiling mount fixings for a smarter installation



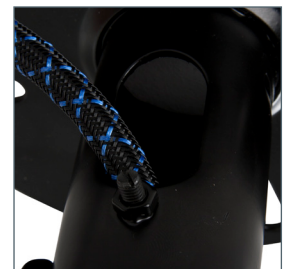
Available in Black or White



Supplied with safety bolt for a
secure installation



+/- 15° tilt adjustment, +/- 15°
roll adjustment and 360° swivel

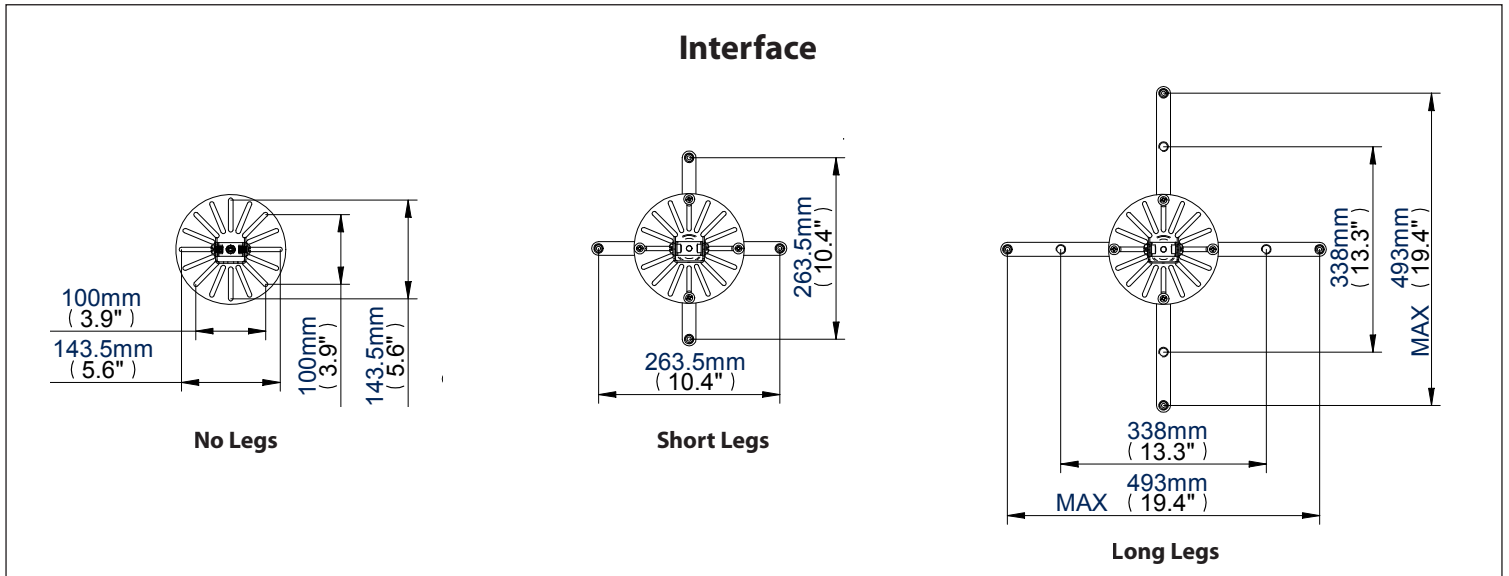
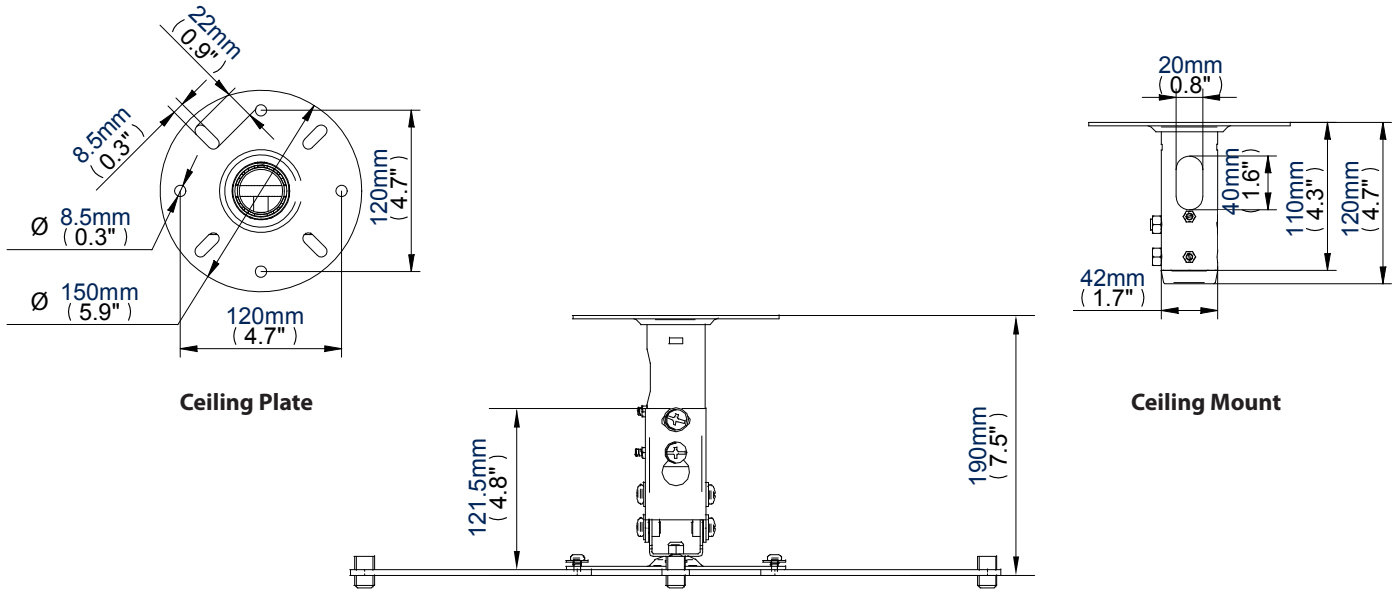


Integrated cable management

Short Drop Projector Ceiling Mount

For more information please visit www.btechavmounts.com/BT5890-010

BT5890-010



Product Code:	Colour:	Order Ref:	EAN Code:
BT5890-010	Black	BT5890-010/B	5019318551116
BT5890-010	White	BT5890-010/W	5019318551123

This information is intended as a guide only and reflects the current specification at the time of print. B-Tech accepts no liability for the accuracy of the information contained in this document.