



AVAILABLE
 IN 3
 HEIGHTS

BT855 1

FLAT SCREEN DISPLAY STAND

Designed to mount screens up to 50kg in either landscape or portrait orientation, the BT8551 is available in three heights; 1.1m, 1.5m and 2m. The stand features B-Tech's unique 'Torsion-Tilt' mechanism for easy tilt adjustment up to +/-15°. Levelling screws are included on the interface arms to finely adjust the screen height after installation. The heavy duty base can be bolted to the floor for permanent displays or alternatively used freestanding with the rubber feet supplied.

SPECIFICATION

Recommended screen size	39" - 65"
Max load	50kg
VESA® compatibility	up to 600 x 400mm
Tilt adjustment	+/- 15°
Base Dimensions	W: 890mm D: 610mm H: 12mm*
Colour (poles)	Black or Chrome
Colour (interface & base)	Black

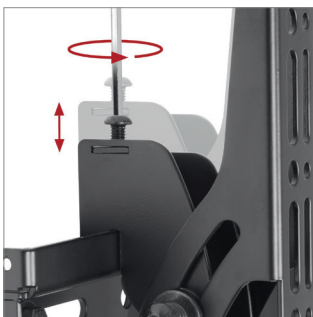
*Base Height including rubber feet: 22mm

FEATURES

- Universal design suitable to mount screens in a landscape or portrait orientation
- Unique 'Torsion-tilt' mechanism for easy tilt adjustment
- Arms feature levelling screws to adjust the screen height
- Heavy duty base can be used freestanding or bolted to the floor
- Shelves and other accessories can be fitted to the poles using Ø60mm accessory collars
- Safety screws help prevent unauthorised screen removal
- Integrated cable management for a neat and tidy installation
- Simple 'hook-on' installation
- All mounting hardware included



POLES



Arms feature levelling screws to adjust the screen height



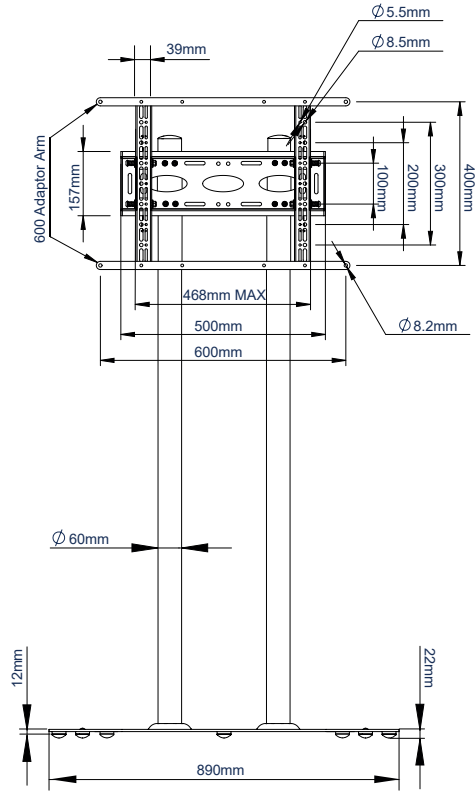
Security locking screws and Allen key provided for a secure installation



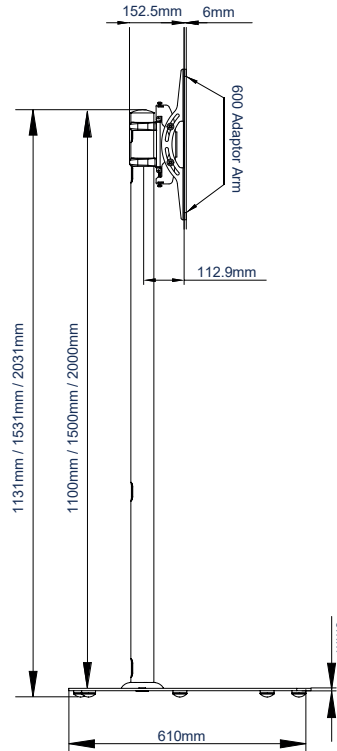
Mount screen in a landscape (horizontal) or portrait (vertical) display



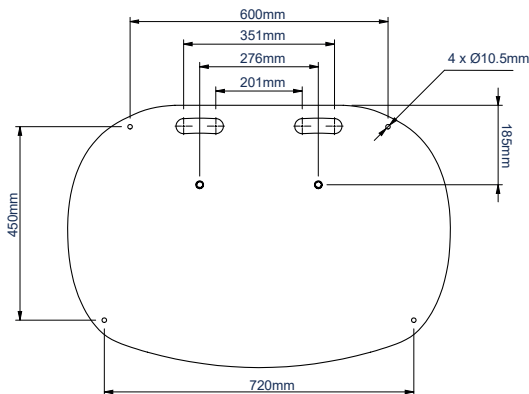
Available in three heights



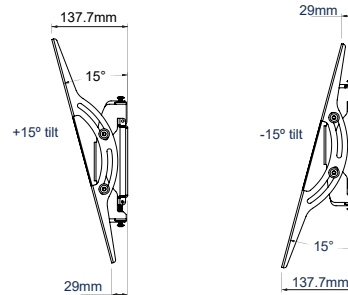
FRONT VIEW



SIDE VIEW



BASE



TILT RANGE

PACKING INFORMATION

PLEASE NOTE, THIS IS A MULTI-BOX BOX ITEM

COLOUR:	ORDER REF:	EAN CODE:
Black with Black Poles	BT8551-100/BB	5019318089411
Black with Chrome Poles	BT8551-100/BC	5019318089428
Black with Black Poles	BT8551-150/BB	5019318089435
Black with Chrome Poles	BT8551-150/BC	5019318089442
Black with Black Poles	BT8551-200/BB	5019318089459
Black with Chrome Poles	BT8551-200/BC	5019318089466

ORIGINAL DESIGNS BY B-TECH AV MOUNTS - REGISTERED DESIGNS & PATENTS APPLY

ACCESSORIES AND RELATED PRODUCTS



BT7260
Ø60mm Accessory Collar mounts AV accessories such as component shelves onto poles



BT7060
Ø60mm Heavy Duty Accessory Collar mounts AV accessories such as component shelves onto poles with double attachment



BT7032
Large AV Accessory Shelf is ideal for adding AV accessories such as a Blu-Ray player or laptop to an installation



BT7864
VC Camera Shelf for Twin Pole Floor Stand for loads up to 4kg

© 2016 B-Tech Av Mounts. All rights reserved. This information is for informational purposes only and does not constitute an offer. B-Tech Av Mounts and its products are registered trademarks of B-Tech Av Mounts. All other trademarks are the property of their respective owners. B-Tech Av Mounts is not responsible for any damage caused by improper or unauthorized use of its products. Any reproduction or modification of any part of this specification is strictly prohibited unless prior written permission has been granted by B-Tech Av Mounts. B-Tech Av Mounts is not responsible for any damage caused by improper or unauthorized use of its products. Any reproduction or modification of any part of this specification is strictly prohibited unless prior written permission has been granted by B-Tech Av Mounts. B-Tech Av Mounts is not responsible for any damage caused by improper or unauthorized use of its products. Any reproduction or modification of any part of this specification is strictly prohibited unless prior written permission has been granted by B-Tech Av Mounts.