



Model Name W8000 Digital Projector

Unique Selling Point

- * Cinematic color from Rec.709
- * CinemaMaster technology
- * H/V lens shift
- * 5 Optional lens

Trade Mark



Projection System	DLP	
Native Resolution	1080p (1920 x 1080)	
Brightness	2000 AL	
FOFO Contrast Ratio	50000:1	
Display Color	1.07 Billion Colors	
Lens	Wide Fix (5JJDH37.002)	F=2.5, f=11.5mm
	Wide Zoom (5JJDH37.011)	F=2.05~2.27, f=16.64~19.5 mm
	Standard (5JJDH37.022)	F=2.46~2.56, f=22.8~28.5mm
	Semi Long (5JJDH37.032)	F=2.5~3.1, f=28.5~42.75mm
	Long Zoom I (5JJDH37.041)	F=2.2~2.5, f=44.5~74.19mm
Aspect Ratio	Native 16:9 (5 aspect ratio selectable)	
Throw Ratio	Wide Fix (5JJDH37.002)	0.778:1
	Wide Zoom (5JJDH37.011)	1.1~1.3:1
	Standard (5JJDH37.022)	1.54~1.93:1
	Semi Long (5JJDH37.032)	1.93~2.9:1
	Long Zoom I (5JJDH37.041)	3.0~5.0:1
Image Size (Clear Focus / Maximum)	Wide Fix (5JJDH37.002)	46"~290"
	Wide Zoom (5JJDH37.011)	35"~370"
	Standard (5JJDH37.022)	35"~205"
	Semi Long (5JJDH37.032)	31"~468"
	Long Zoom I (5JJDH37.041)	27"~301"
Zoom Ratio	Wide Fix (5JJDH37.002)	Fixed
	Wide Zoom (5JJDH37.011)	1.18X
	Standard (5JJDH37.022)	1.25X
	Semi Long (5JJDH37.032)	1.5X
	Long Zoom I (5JJDH37.041)	1.67X
Lens Shift	Wide Fix (5JJDH37.002)	Vertical -15%~55%, Horizontal ±5%
	Wide Zoom (5JJDH37.011)	Vertical -15%~55%, Horizontal ±5%
	Standard (5JJDH37.022)	Vertical -15%~55%, Horizontal ±5%
	Semi Long (5JJDH37.032)	Vertical -15%~55%, Horizontal ±5%
	Long Zoom I (5JJDH37.041)	Vertical -15%~55%, Horizontal ±5%
Lamp Type	280W	
Lamp Mode (Normal/Eco/SmartEco)*	2500/3500/6000 hours	
Keystone Adjustment	1D, Vertical ± 30 degrees	
Resolution Support	VGA(640 x 480) to WUXGA_RB (1920 x 1200) *RB = Reduced Blanking	
Horizontal Frequency	15~102KHz	
Vertical Scan Rate	23~120Hz	
Color Wheel Segment	6-Segment (RGBRGB)	
Color Wheel Speed	6x (50Hz), 4x (60Hz)	

Compatibility	HDTV Compatibility	480i, 480p, 576i, 576p, 720p, 1080i, 1080p
	Video Compatibility	NTSC, PAL, SECAM
	3D Compatibility	Frame Sequential: Up to 720p Frame Packing: Up to 1080p Side by Side: Up to 1080i/p Top Bottom: Up to 1080p
	(Please refer to User's Manual for detailed support timing.)	

Interface	Computer in (D-sub 15pin)	x 1
	Composite video in (RCA)	x 1
	Component video in	x 1
	HDMI-1	x 1
	HDMI-2 / MHL	x 1
	USB (Type A)	x 1 (5V/1.5A power supply)
	USB (Type B)	x 1 (Service)
	RS232 (DB-9pin)	x 1
	DC 12V Trigger	x 1
	3D sync out	x 1
	IR receiver	x 2 (Front & Rear)

Physical	Dimensions (W x H x D)	431 x 167 x 321 mm
	Weight (with Standard lens)	8.8 kg (19.4 lbs)

Power	Power Supply	AC100 to 240 V, 50 to 60 Hz
	Power Consumption	Normal 370W, Eco 290W, Standby <0.5W

Audible Noise 31/28 dBA (Normal/Economic mode)

On-Screen Display Languages Arabic/Bulgarian/ Croatian/ Czech/ Danish/ Dutch/ English/ Finnish/ French/ German/ Greek/ Hindi/ Hungarian/ Italian/ Indonesian/ Japanese/ Korean/ Norwegian/ Polish/ Portuguese/ Romanian/ Russian/ Simplified Chinese/Spanish/

Picture Modes ** ISF Disabled: Bright / Vivid / Cinema (Rec. 709) / Game / User 1 / User 2 / (3D)

*** ISF Enabled: Bright / Vivid / Cinema (Rec. 709) / Game / User 1 / User 2 / ISF Night / ISF Day / (3D)

	Standard	Optional
Accessories	Remote Control with Battery	Spare Lamp Kit
	Power Cord (by region)	Ceiling Mount
	User Manual CD	Wireless FHD Kit (WDP01 & WDP02)
	Quick Start Guide	Optional Lens
	Warranty Card	
	DLP 3D Glasses (specific regions only)	

*Lamp life results will vary depending on environmental conditions and usage. Actual product's features and specifications are subject to change without notice.

** Default picture mode is Cinema (Rec. 709). When 3D is on, picture mode menu only show 3D. When 3D is off, 3D will also disappear.

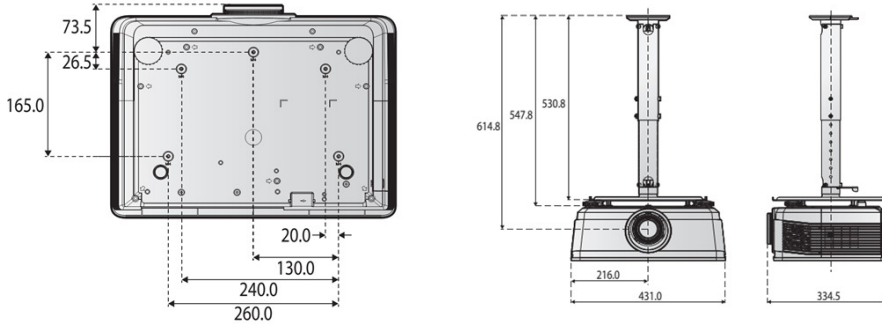
*** When ISF is enable, default picture mode is ISF Night. When 3D is on, picture mode only show 3D. When 3D is off, 3D will also disappear.

W8000 Digital Projector

Distance Chart

Screen Size						Wide Fix		Wide Zoom				Standard				Semi Long				Long Zoom			
						0.778		1.1-1.3				1.54-1.93				1.93-2.9				3-5			
Diagonal	Width		Height		LS2ST3		LS2ST1				LS2SD				LS2LT1								
					5JJDH37.002		5JJDH37.011				5JJDH37.022				5JJDH37.032				5JJDH37.041				
					NA		Wide		Tele		Wide		Tele		Wide		Tele		Wide		Tele		
(Inch)	(m)	(Inch)	(m)	(Inch)	(m)	(Inch)	(m)	(Inch)	(m)	(Inch)	(m)	(Inch)	(m)	(Inch)	(m)	(Inch)	(m)	(Inch)	(m)	(Inch)	(m)		
80	2.03	68	1.72	42	1.08	54	1.38	77	1.95	91	2.3	107	2.73	135	3.42	135	3.42	202	5.14	209	5.31	349	8.86
100	2.54	85	2.15	53	1.35	68	1.72	96	2.44	113	2.88	134	3.41	168	4.27	168	4.27	253	6.42	261	6.64	436	11.07
120	3.05	102	2.58	64	1.62	81	2.07	115	2.92	136	3.45	161	4.09	202	5.13	202	5.13	303	7.7	314	7.97	523	13.28
150	3.81	127	3.23	79	2.02	102	2.58	144	3.65	170	4.32	201	5.11	252	6.41	252	6.41	379	9.63	392	9.96	654	16.6
200	5.08	170	4.31	106	2.69	136	3.44	192	4.87	227	5.76	268	6.82	336	8.55	336	8.55	506	12.84	523	13.28	872	22.14
300	7.62	254	6.46	159	4.04			288	7.31	340	8.63					505	12.82	758	19.26	784	19.92	1307	33.21
400	10.16	339	8.62	212	5.38											673	17.09	1011	25.68				
500	12.7	424	10.77	265	6.73																		

Wall Mount / Ceiling Mount Chart



Dimension



Unit: mm

