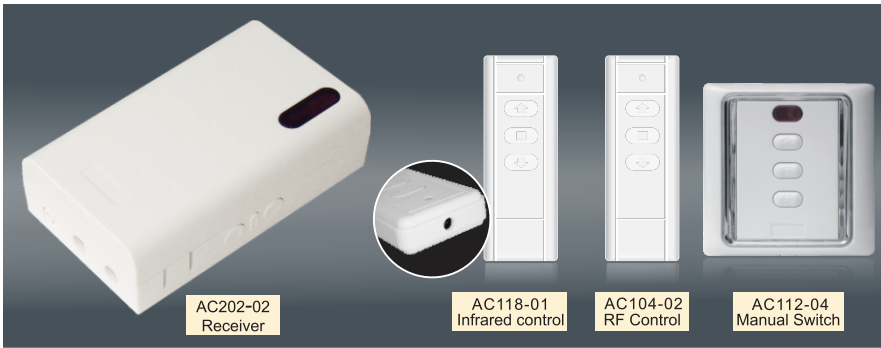


AC202-02 Radio Receiver Manual v1.0.2



1. Features

- Work with all A-OK tubular motor
- SMT machine automatic assembly, dampproof craft
- Support of IR, RF, Manual control and DC12V trigger
- Work with motorized projection screen, motorized awning, roller blinds etc

2. Parameters

Model No.	Voltage	Temperature	Receive distance	Loading Power	Frequency	Operation Mode
AC202-02	230VAC 50Hz	-40°C ~ +85°C	RF ≥ 80M IR ≥ 8M	≤ 500W	RF 433.92HZ IR 38KHZ	RF, IR and Manual control, DV12V trigger

Warning



Power off before wiring



Avoid static damage

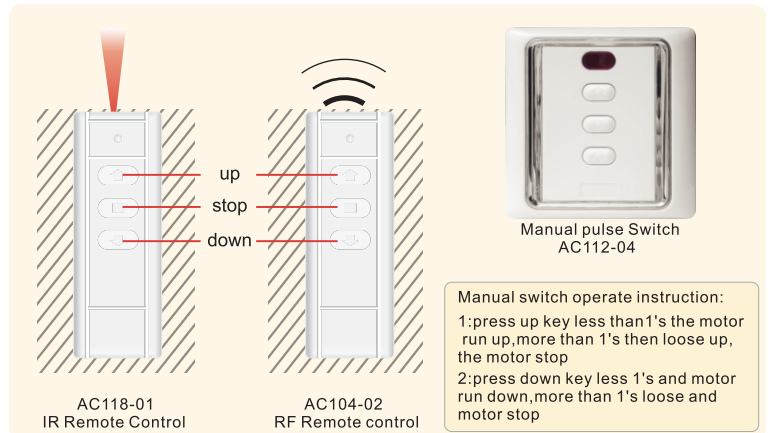
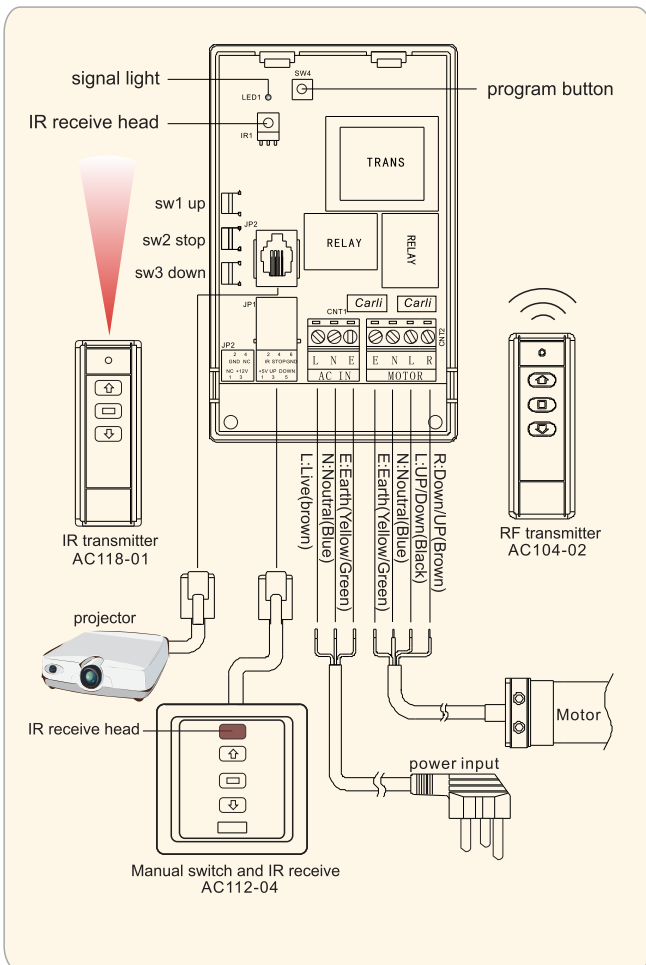


Earth wire must be connected well and correctly

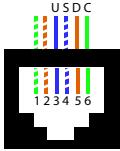


To keep good control range, avoid connect metal parts


3. Wiring



Wiring

Motor wiring terminal E: Earth (Green/Yellow) N: Neutral (Blue) L: UP / Down (Black) R: Down / UP (Brown)	Power wiring terminal N: Neutral (Blue) E: Earth (Yellow/Green) L: Live (Brown)
out-link projector terminal NC: empty terminal GND: earth wire +12V: DC trigger	 <p>RJ12 CONNECTOR</p>
Manual switch wiring terminal	
+5V: IR voltage IR: IR signal U: UP / DOWN (brown)	S: stop (green) D: Down / up (black) G: Neutral (BLUE)

MANUAL SWITCH BACK SIDE

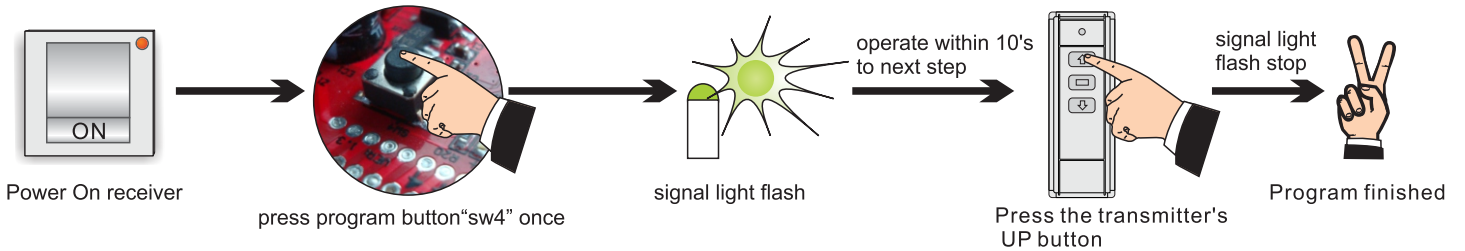


Function Adjustment

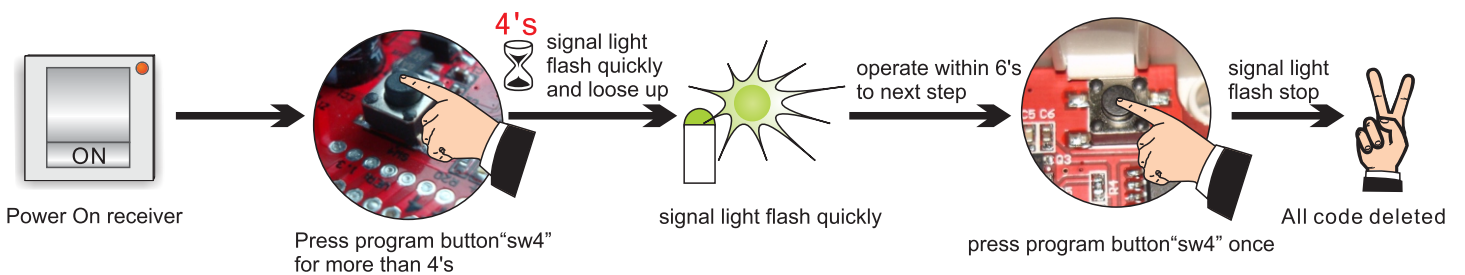
Remark:

- ①IR remote control must make program (same as RF operation), while within effective range.
- ②Receiver would come back the original state if there are not any operations within 10's.
- ③Only total 20 IR or RF transmitter can be programmed with 1 receiver
- ④The longest working time of motor is 5 minutes

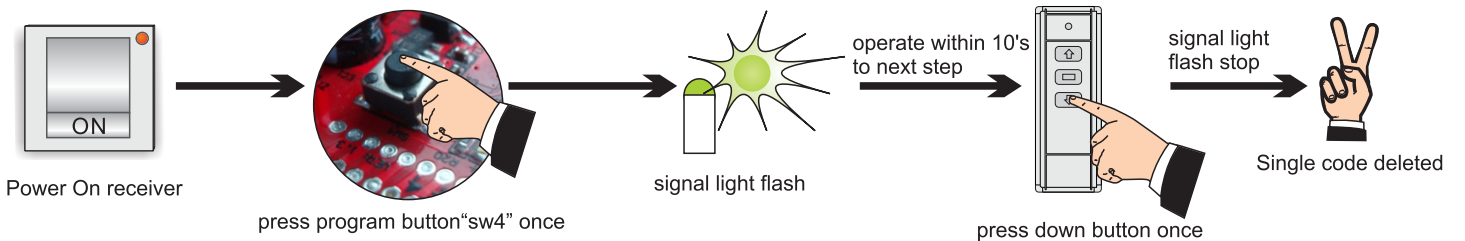
4. Program setting (select delete channel before operation)



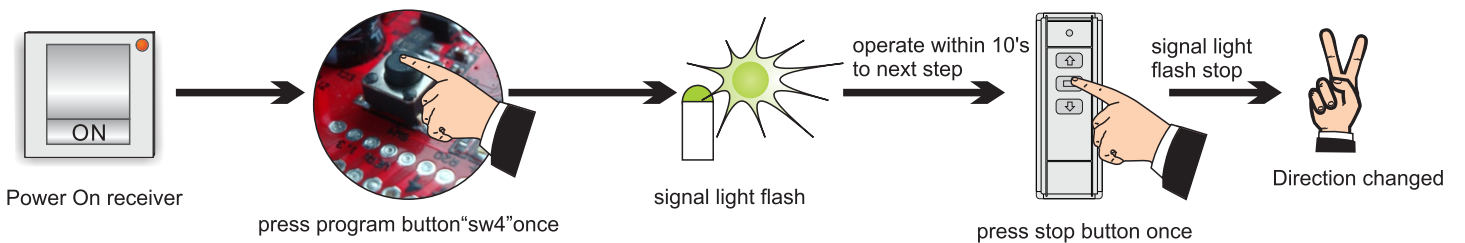
5. Delete all codes on receiver



6. Delete single code on receiver (select delete channel before operation)



7. Change direction



8. Troubles handle

Items	Trouble phenomenon	Test/Solution/ probable cause
1	When operate, the transmitter's LED1 work well, and the receiver doesn't action	Have a check with the receiver's wiring correct or not, or the program setting is OK
2	The transmitter's LED isn't bright or dark bright	Check the battery power is OK or not (The battery install is OK or not)
3	The control system work well, but the motor is out of working	Checking the motor's wiring correct or not, and the motor had damage or not
4	Press up key, motor run down, press down key, motor run up	set change direction on control or exchange the up and down wire of motor